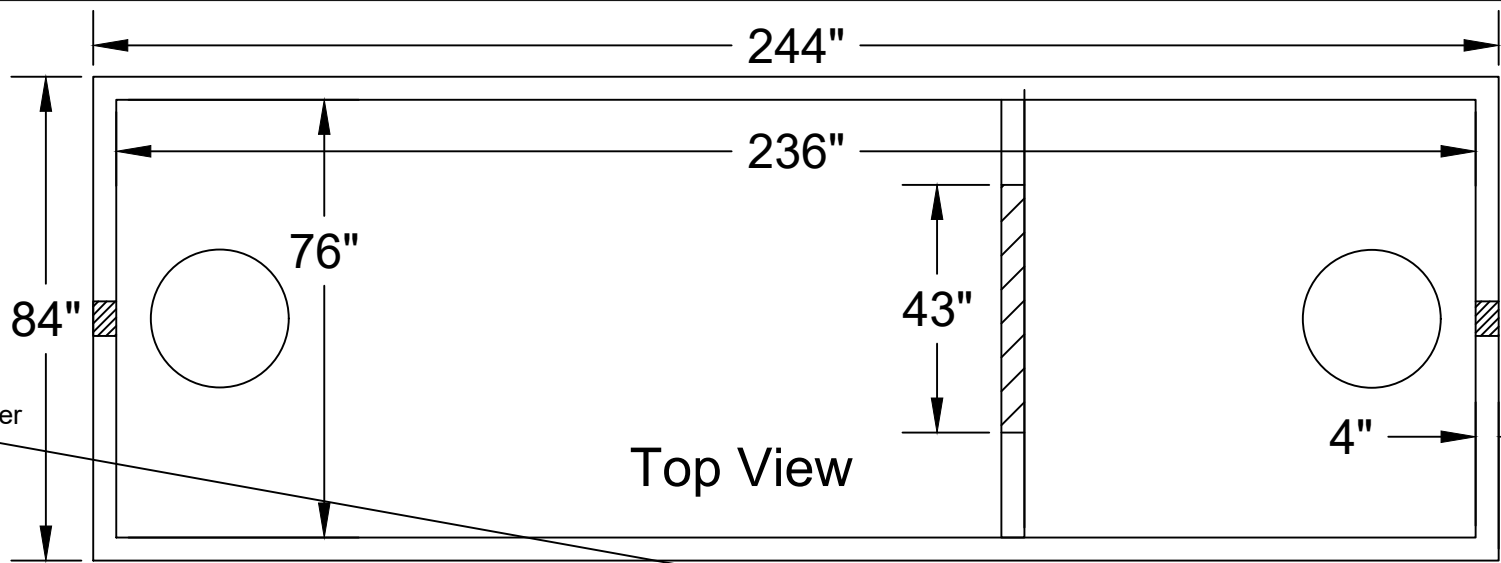


JARRETT

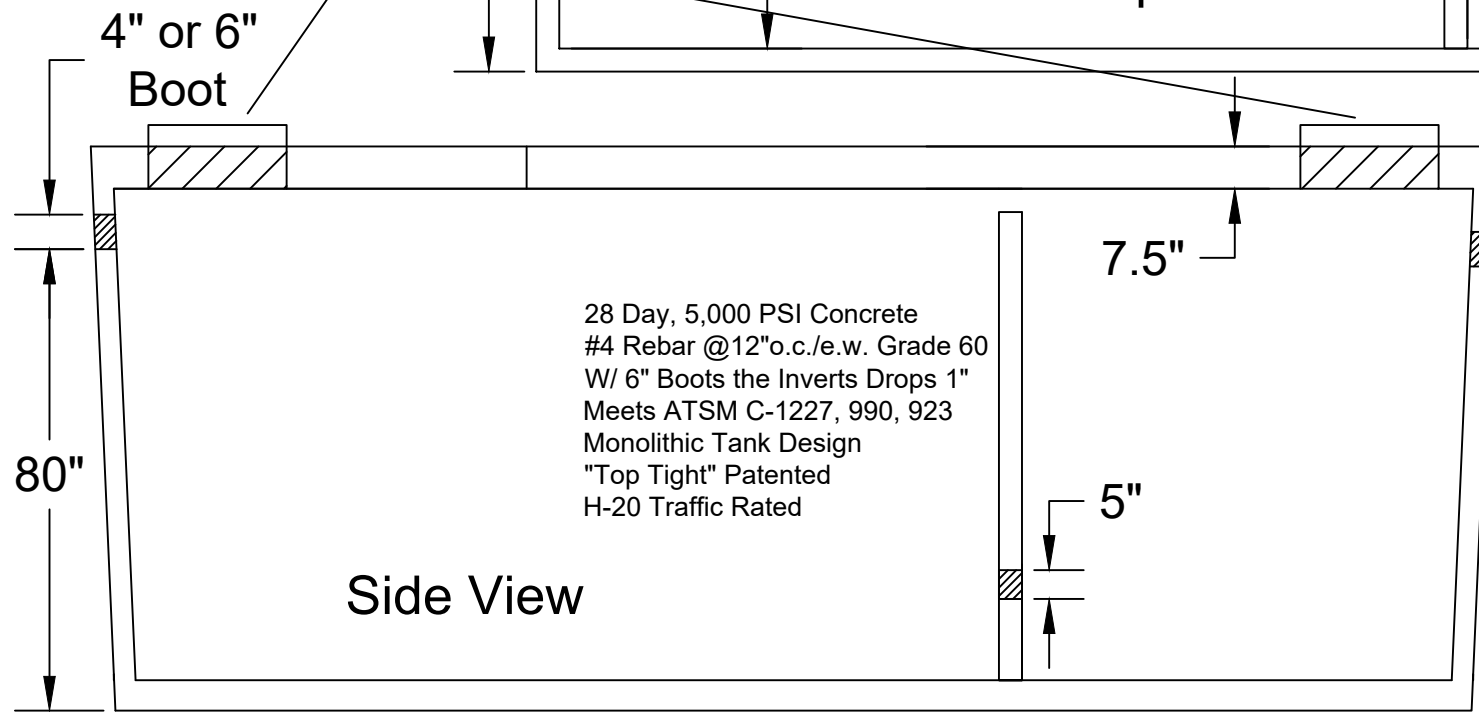


CONCRETE

Jarrett Concrete Products 615-792-9332
2012 Hwy 12 South, Ashland City, TN 37015

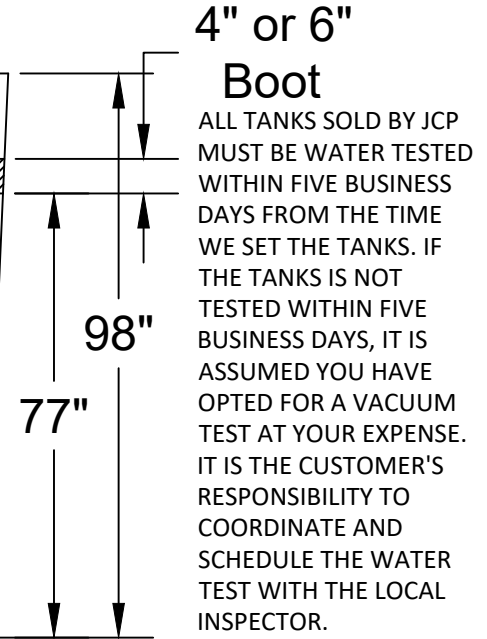


Top View



Side View

28 Day, 5,000 PSI Concrete
#4 Rebar @12"o.c./e.w. Grade 60
W/ 6" Boots the Inverts Drops 1"
Meets ATSM C-1227, 990, 923
Monolithic Tank Design
"Top Tight" Patented
H-20 Traffic Rated



4" or 6"
Boot

ALL TANKS SOLD BY JCP
MUST BE WATER TESTED
WITHIN FIVE BUSINESS
DAYS FROM THE TIME
WE SET THE TANKS. IF
THE TANKS IS NOT
TESTED WITHIN FIVE
BUSINESS DAYS, IT IS
ASSUMED YOU HAVE
OPTED FOR A VACUUM
TEST AT YOUR EXPENSE.
IT IS THE CUSTOMER'S
RESPONSIBILITY TO
COORDINATE AND
SCHEDULE THE WATER
TEST WITH THE LOCAL
INSPECTOR.



Septic Tank 5000 Gallon

Date: 7-28-2021

Drawn By: L.Owen

Weight: 40,852 lbs

