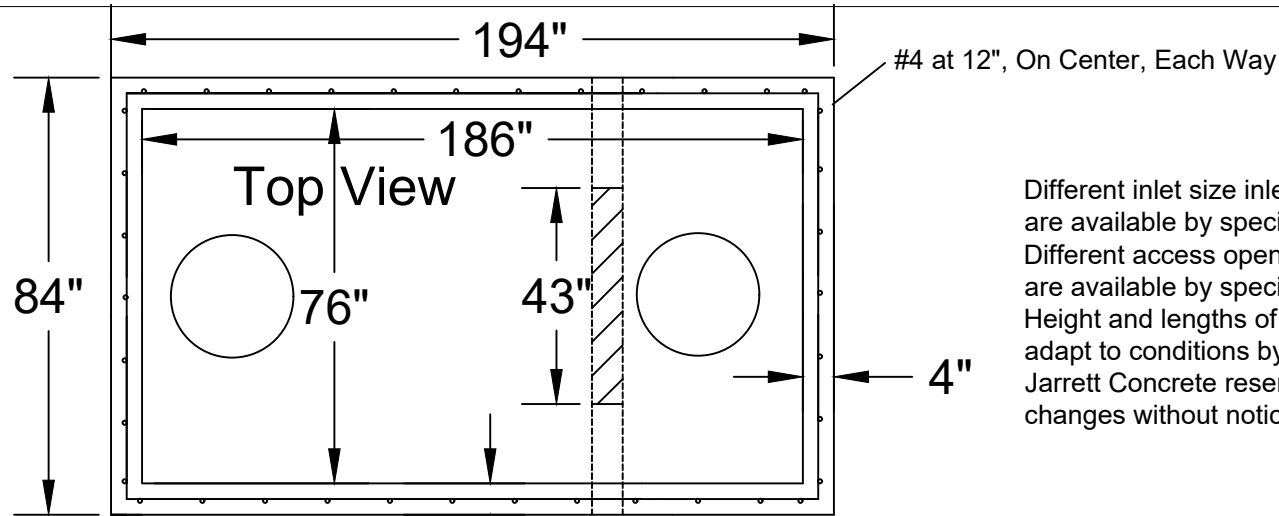
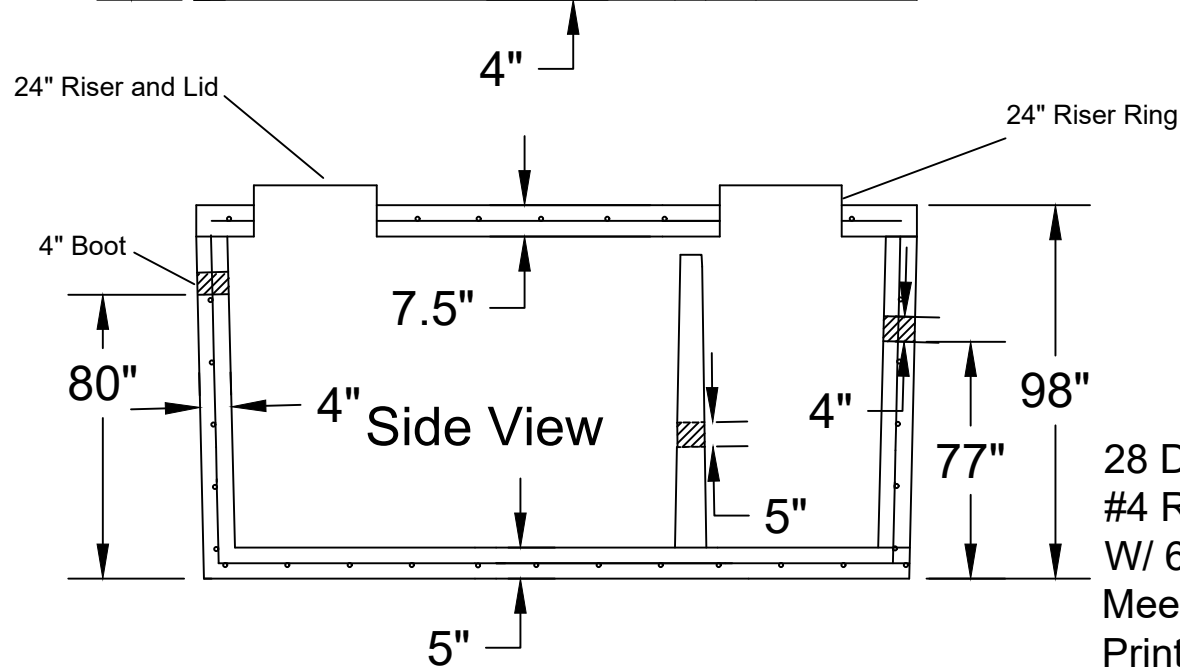




**Jarrett Concrete Products**    615-792-9332  
 2012 Hwy 12 South, Ashland City, TN 37015



Different inlet size inlet openings and locations are available by special order.  
 Different access openings and adaptors rings are available by special orders.  
 Height and lengths of tanks can be altered to adapt to conditions by special order.  
 Jarrett Concrete reserves the right to make changes without notice.



28 Day, 5,000 PSI Concrete  
 #4 Rebar, Grade 60  
 W/ 6" Boots the Inverts Drops 1"  
 Meets ATSM C-1227, 990, 923  
 Print Not To Scale

<b>Septic Tank 4000 Gallon</b>		
Date: 4-30-2018	Drawn By: L.Owen	Weight: 36,379 lbs

