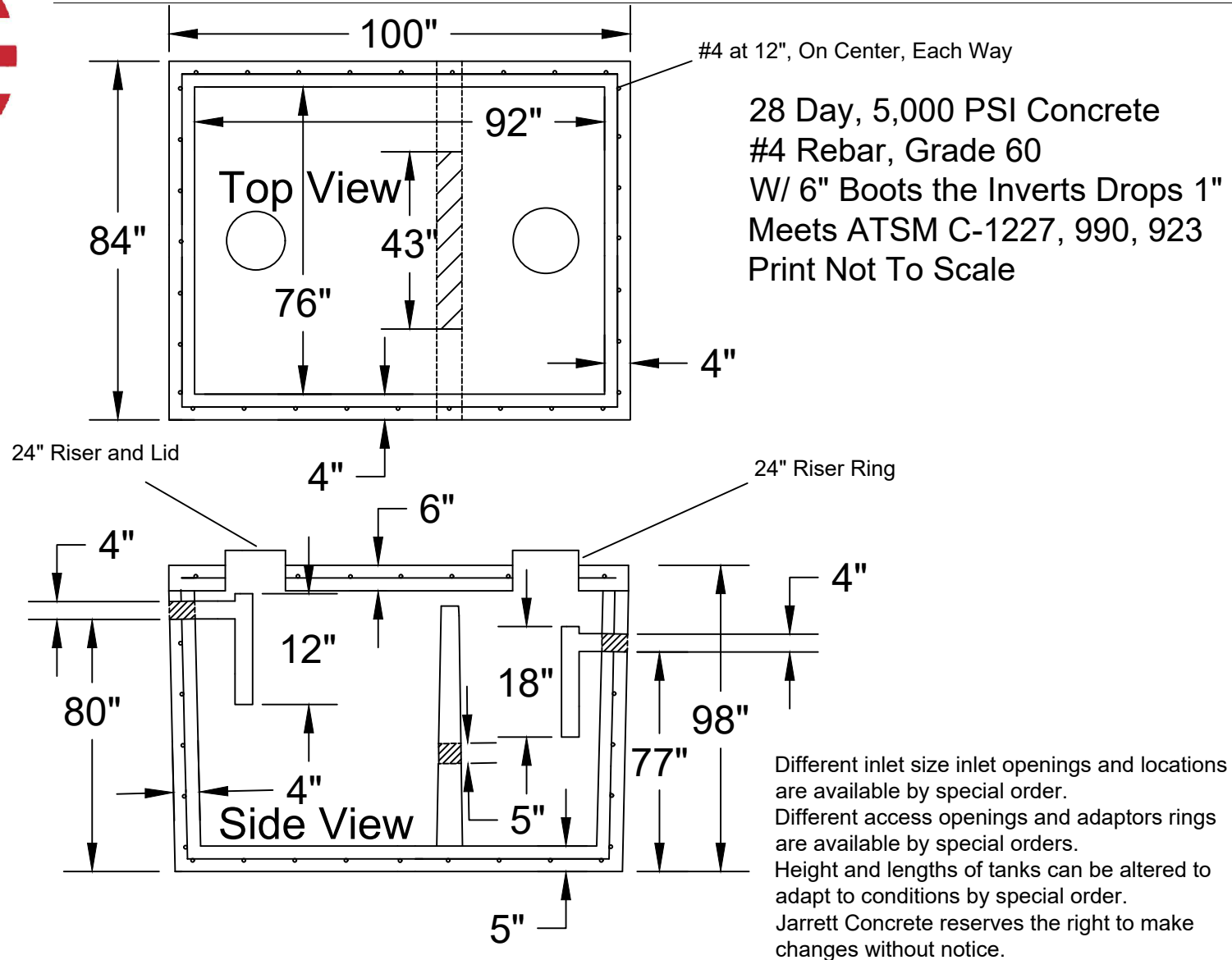




Jarrett Concrete Products 615-792-9332
 2012 Hwy 12 South, Ashland City, TN 37015



Septic Tank 2000 Gallon		
Date: 4-30-2018	Drawn By: L.Owen	Weight: 20,667 lbs

