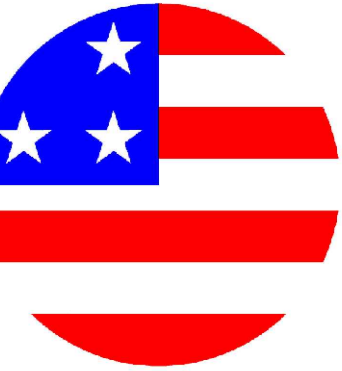


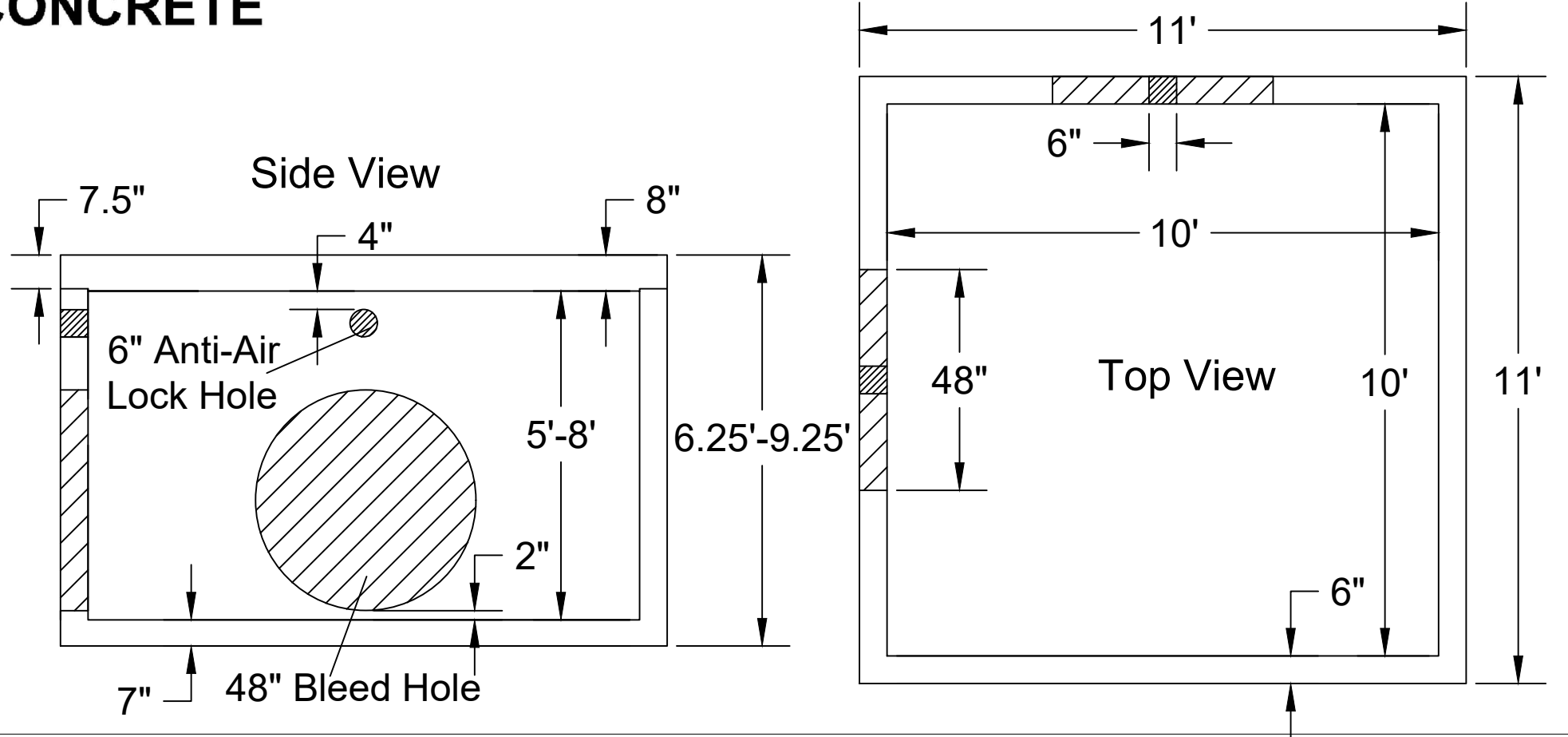
# JARRETT



# CONCRETE

**Jarrett Concrete Products** 615-792-9332  
2012 Hwy 12 South, Ashland City, TN 37015

28 Day, 6,000 PSI Concrete, Type III Cement, Grade 60 Rebar  
#5 Rebar 10" o.c.e.w. (Walls & Floor), #6 Rebar 8" o.c.e.w. (Top)  
HS20-44 Rated, Pod Volume Varies Between 500-800 Cubic Feet  
Steps Centered to Access Hole, Access Hole Not Needed in Every Pod  
Bleed Hole Placement Based On Tailored Pod Configuration  
Pods Can Be Made Any Size to Fit Your Parameters  
Heaviest Pick Weight 33,000 lbs



**Rain Cave™ Underground Water Detention System RC4**  
Date: 10-12-2021      Drawn By: L.Owen      Weight: 34,000-44,000 lbs