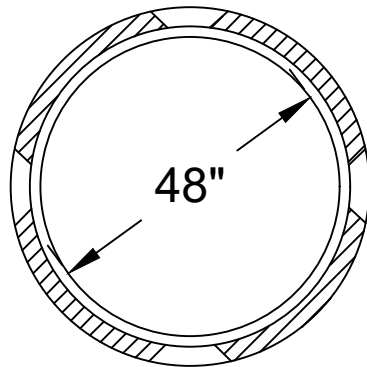


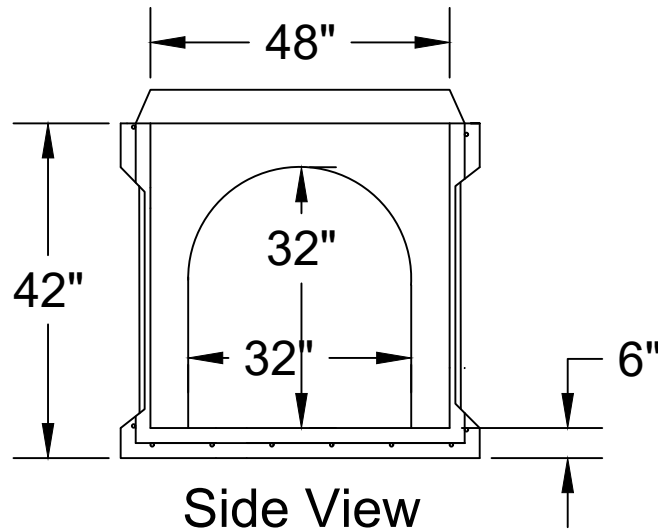


Jarrett Concrete Products 615-792-9332
2012 Hwy 12 South, Ashland City, TN 37015

Top View



28 Day, 5,000 PSI Concrete
#3 Rebar, Grade 60
#3 Rebar at 12" Centers
Meets ASTM- C-913
No Invert
Print Not To Scale



Side View

42" x 42" Mono Base w/ Knock Outs

Date: 5-9-2018

Drawn By: L.Owen

Weight: Up To 4,000 Lbs