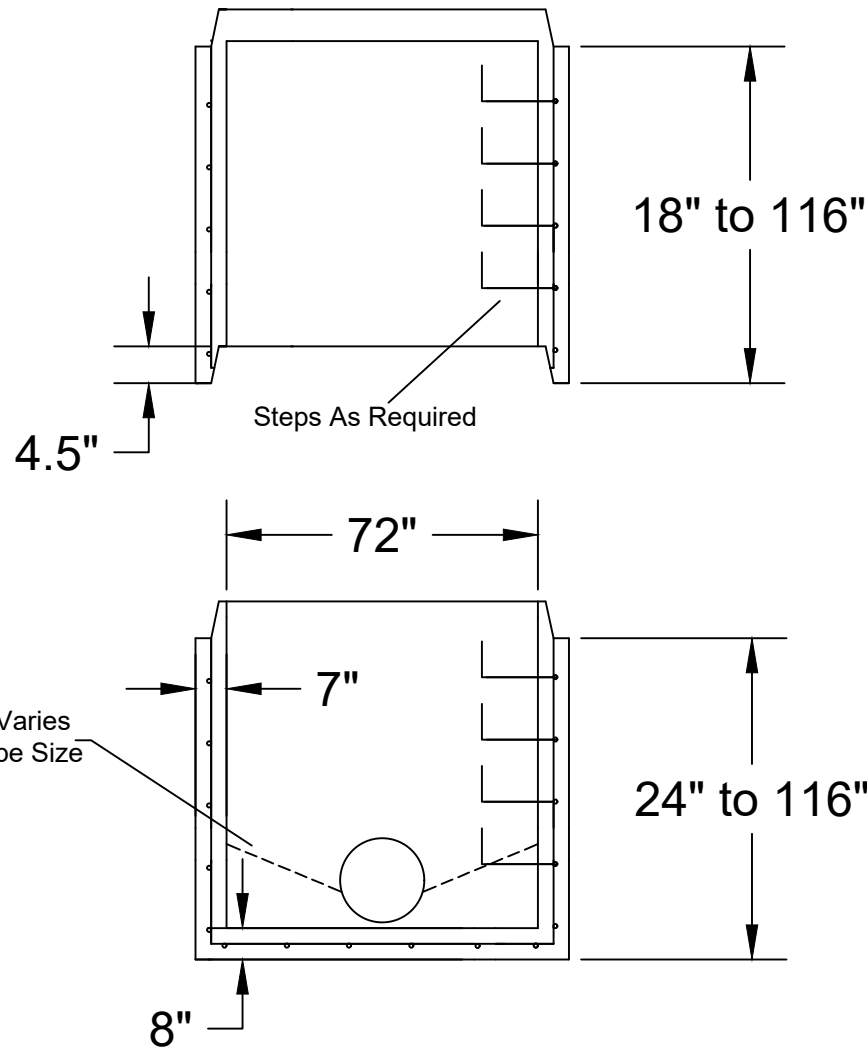




Jarrett Concrete Products 615-792-9332
2012 Hwy 12 South, Ashland City, TN 37015



28 Day, 5,000 PSI Concrete
#4 Rebar, Grade 60
#4 Rebar on 12" Centers
Meets ASTM C-478
Print Not To Scale



72" Diameter Manhole Base Sections (Storm)

Date: 11-30-2018

Drawn By: L.Owen

Weight: 16,000 lbs