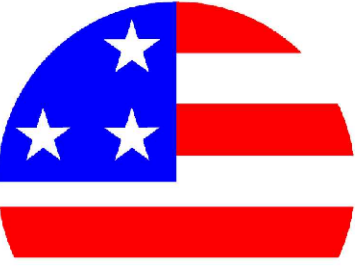
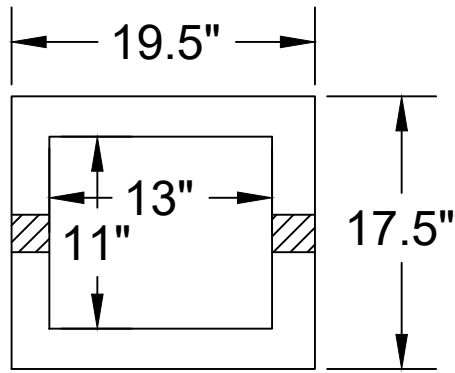


JARRETT

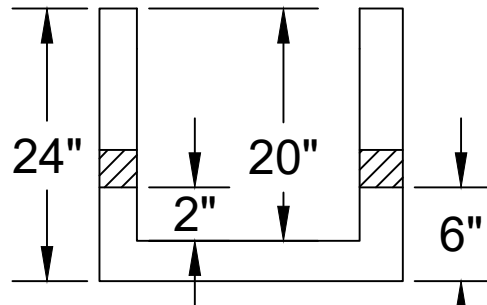
Jarrett Concrete Products 615-792-9332
2012 Hwy 12 South, Ashland City, TN 37015



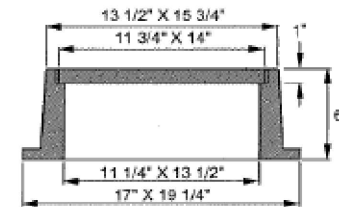
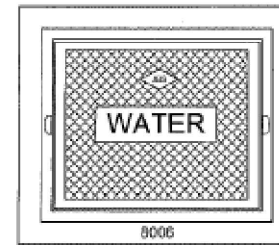
CONCRETE



Top View



Side View



Sample Pits Include Casting
Casting Will Say Sewer
Print Not to Scale



Grease Trap Sample Pit (Straight)

Date: 8-7-2019

Drawn By: L.Owen

Weight: 100 lbs