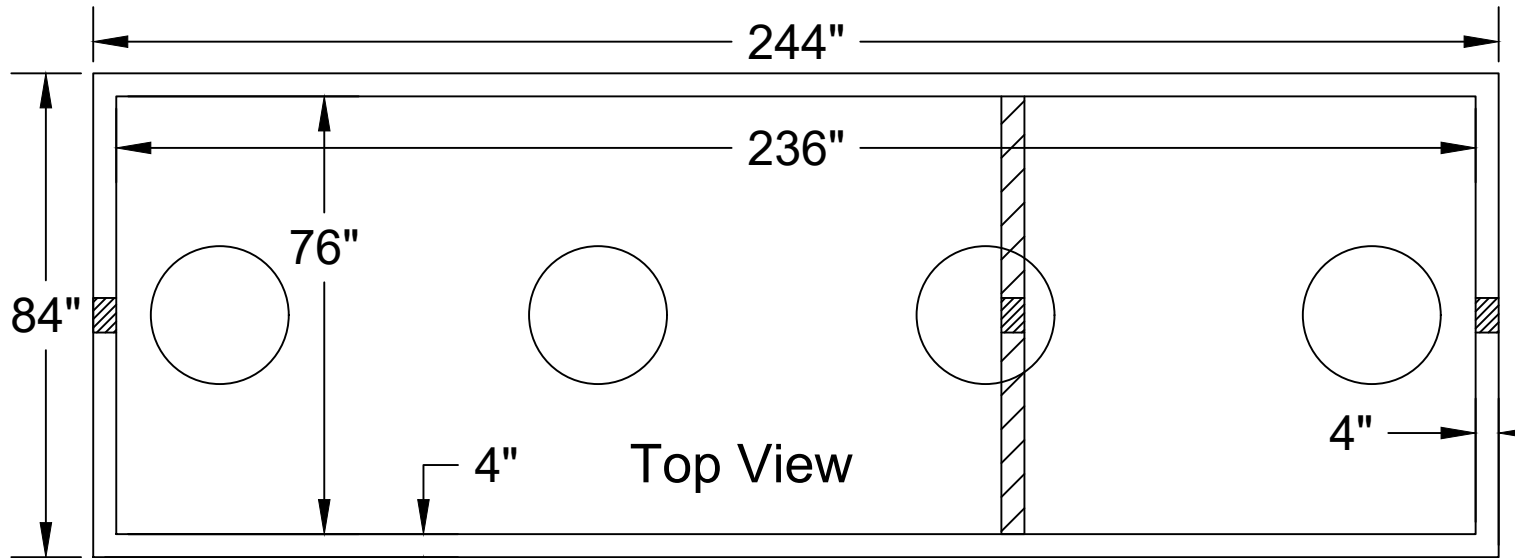
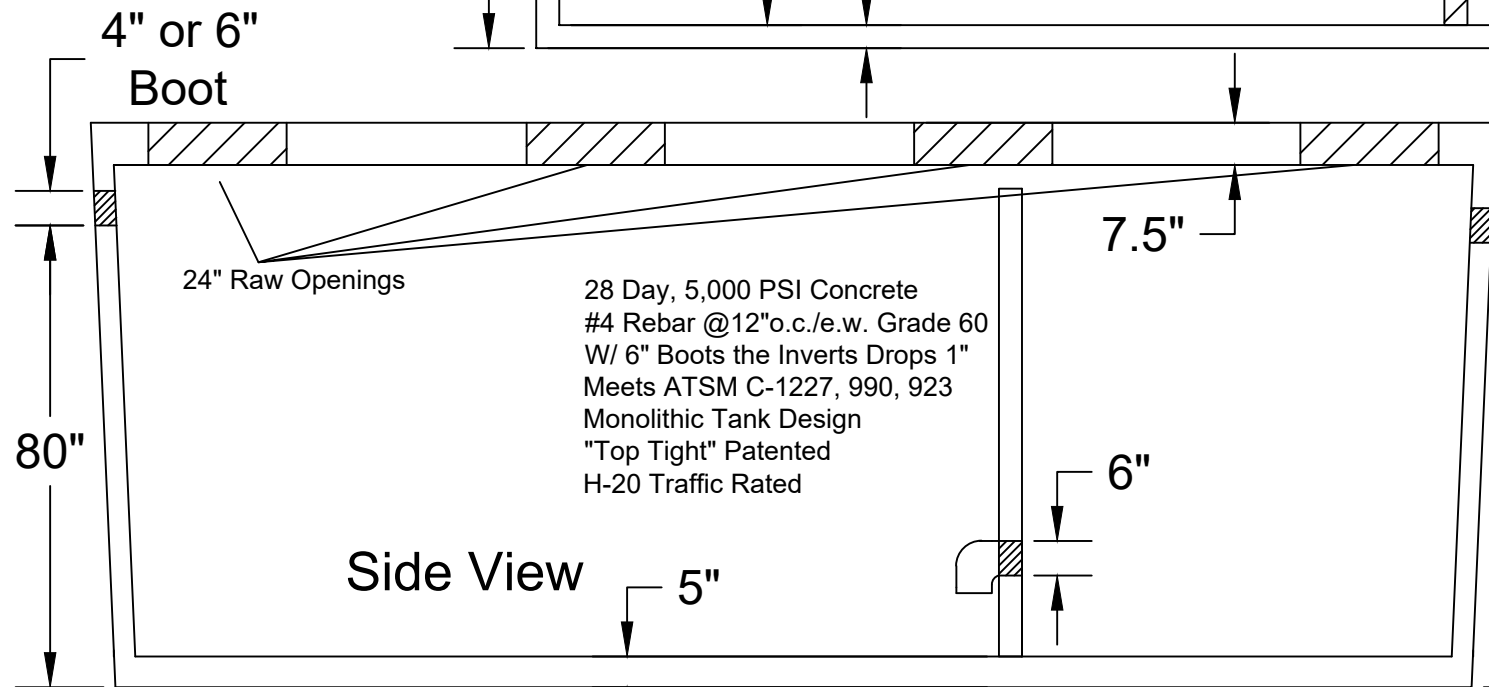


# JARRETT

**Jarrett Concrete Products** 615-792-9332  
2012 Hwy 12 South, Ashland City, TN 37015



Top View



Side View

28 Day, 5,000 PSI Concrete  
#4 Rebar @12"o.c./e.w. Grade 60  
W/ 6" Boots the Inverts Drops 1"  
Meets ATSM C-1227, 990, 923  
Monolithic Tank Design  
"Top Tight" Patented  
H-20 Traffic Rated

4" or 6"  
Boot

ALL TANKS SOLD BY JCP  
MUST BE WATER TESTED  
WITHIN FIVE BUSINESS  
DAYS FROM THE TIME  
WE SET THE TANKS. IF  
THE TANKS IS NOT  
TESTED WITHIN FIVE  
BUSINESS DAYS, IT IS  
ASSUMED YOU HAVE  
OPTED FOR A VACUUM  
TEST AT YOUR EXPENSE.  
IT IS THE CUSTOMER'S  
RESPONSIBILITY TO  
COORDINATE AND  
SCHEDULE THE WATER  
TEST WITH THE LOCAL  
INSPECTOR.

## Grease Trap 5000 Gallon

Date: 7-28-2021

Drawn By: L.Owen

Weight: 40,852 lbs

