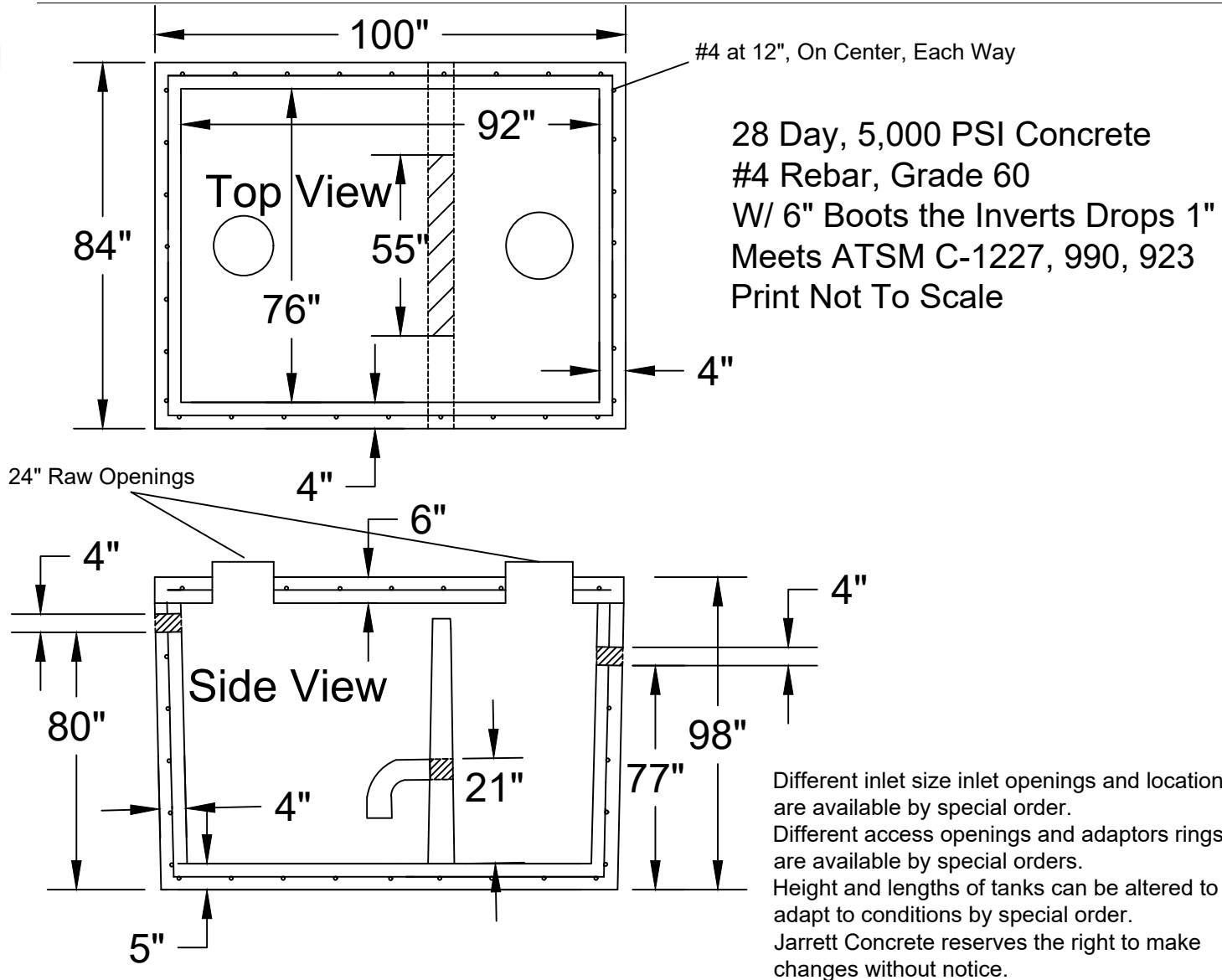




**Jarrett Concrete Products** 615-792-9332  
 2012 Hwy 12 South, Ashland City, TN 37015



<b>Grease Trap 2,000 Gallon</b>		
Date: 5-1-2018	Drawn By: L.Owen	Weight: 20,667 lbs

