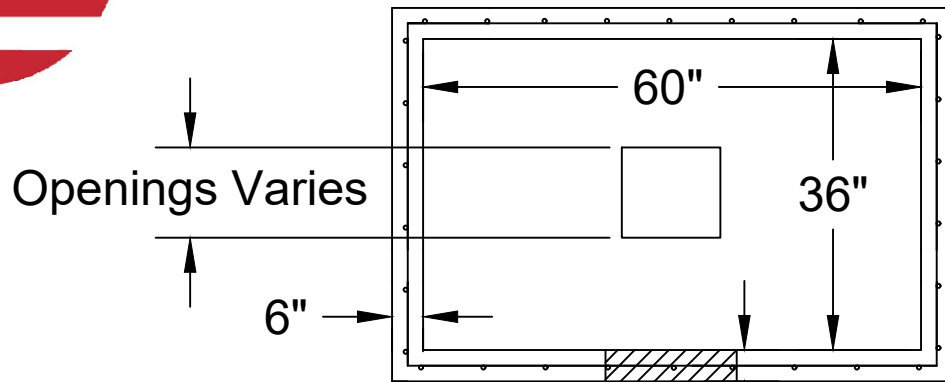


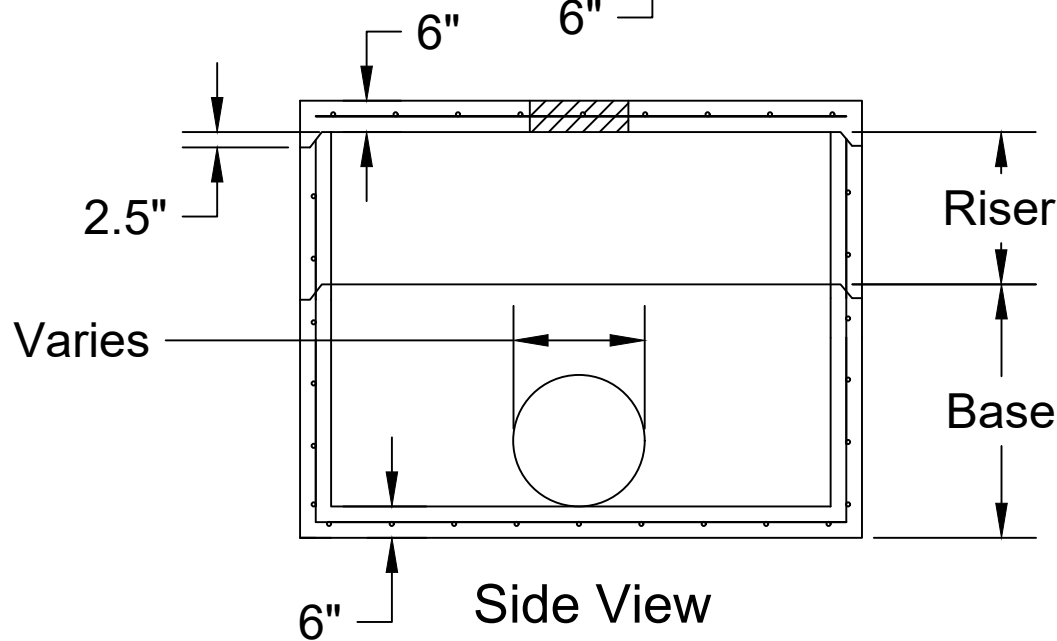


**Jarrett Concrete Products** 615-792-9332  
2012 Hwy 12 South, Ashland City, TN 37015

Top View



28 Day, 5,000 PSI Concrete  
#3 Rebar, Grade 60  
#3 Rebar at 12" Centers  
Meets ASTM- C-913  
Print Not To Scale



36" x 60" Curb Inlet / Catch Basin / Area Drain

Date: 5-17-2018

Drawn By: L.Owen

Weight: Up To 10,000 lbs

