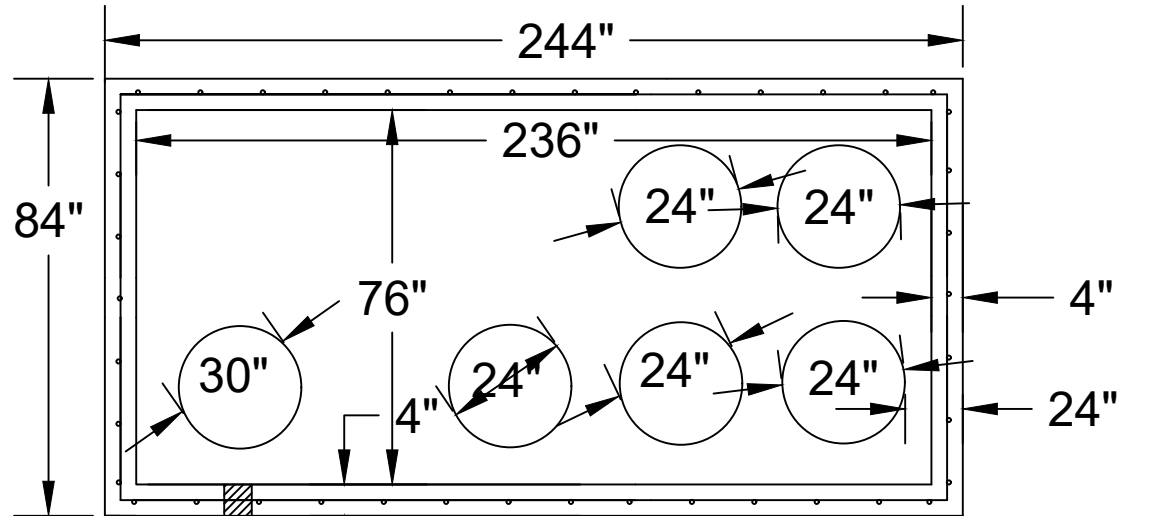
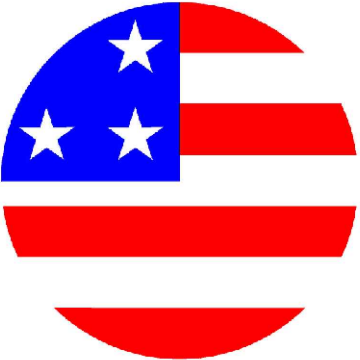


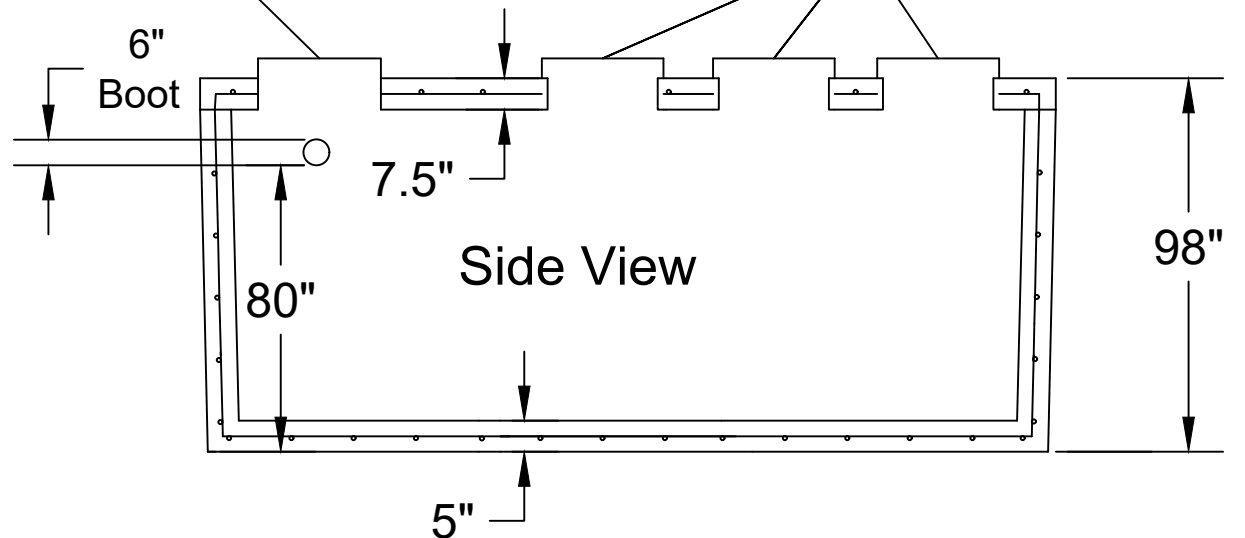
**JARRETT**

**Jarrett Concrete Products** 615-792-9332  
 2012 Hwy 12 South, Ashland City, TN 37015



Cast in place 30" Adenus riser adapter w/ 30" raw hole

Cast in place five 30" Adenus riser adapters w/ 24" raw holes



**CONCRETE**

ALL TANKS SOLD BY JCP NEEDS TO BE WATER TESTED WITHIN FIVE BUSINESS DAYS FROM THE TIME WE SET THE TANKS. IF THE TANKS IS NOT TESTED WITHIN FIVE BUSNISS DAYS, IT IS ASSUMED YOU HAVE OPTED FOR A VACUUM TEST AT YOUR EXPENSE. IT IS THE CUSTOMER'S RESPONSIBILITY TO COORDINATE AND SCHEDULE THE WATER TEST WITH THE LOCAL INSPECTOR.

28 Day, 5,000 PSI Concrete  
 #4 Rebar @12"o.c./e.w. Grade 60  
 W/ 6" Boots the Inverts Drops 1"  
 Meets ATSM C-1227, 990, 923  
 Monolithic Tank Design  
 "Top Tight" Patented  
 H-20 Traffic Rated  
 MAGA Approved  
 Print Not To Scale

Different inlet size inlet openings and locations are available by special order.  
 Different access openings and adaptors rings are available by special orders.  
 Height and lengths of tanks can be altered to adapt to conditions by special order.  
 Jarrett Concrete reserves the right to make changes without notice.

**Adenus Pump Tank 5000 Gallon 3.0**

Date: 10-8-2020

Drawn By: L.Owen

Weight: 39,652 lbs

