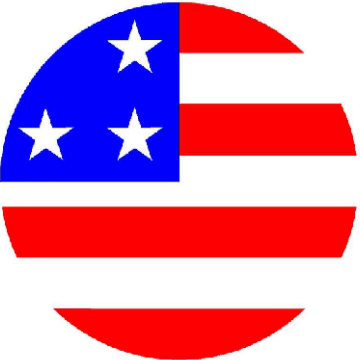


JARRETT



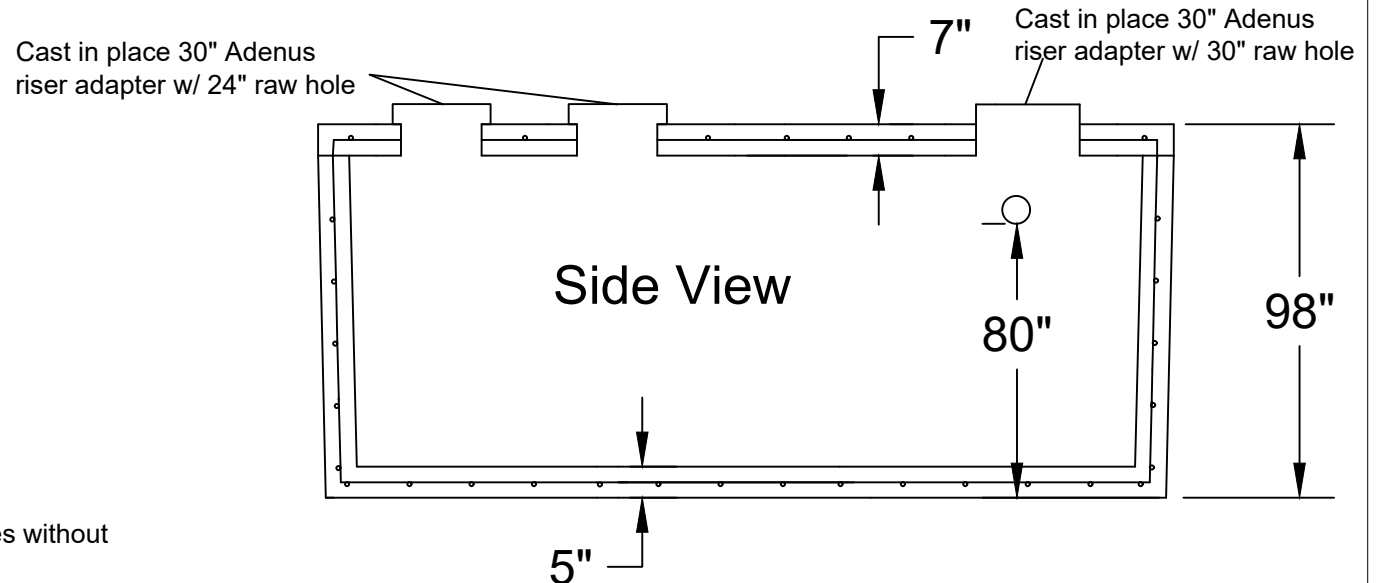
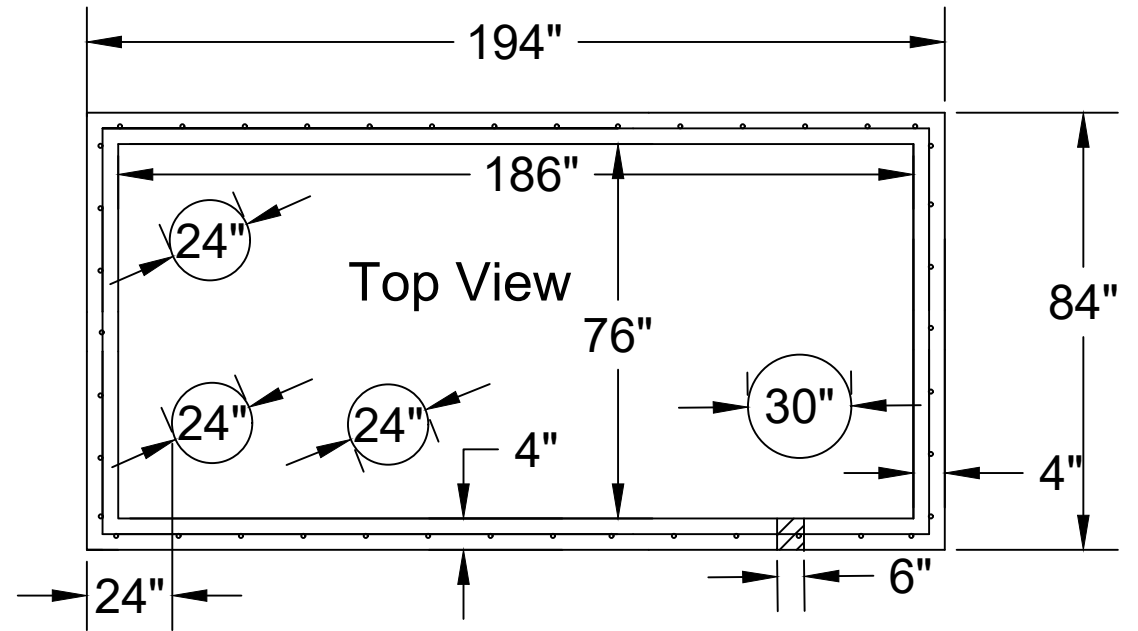
Jarrett Concrete Products 615-792-9332
 2012 Hwy 12 South, Ashland City, TN 37015

CONCRETE

ALL TANKS SOLD BY JCP NEEDS TO BE WATER TESTED WITHIN FIVE BUSINESS DAYS FROM THE TIME WE SET THE TANKS. IF THE TANKS IS NOT TESTED WITHIN FIVE BUSNISS DAYS, IT IS ASSUMED YOU HAVE OPTED FOR A VACUUM TEST AT YOUR EXPENSE. IT IS THE CUSTOMER'S RESPONSIBILITY TO COORDINATE AND SCHEDULE THE WATER TEST WITH THE LOCAL INSPECTOR.

- 28 Day, 5,000 PSI Concrete
- #4 Rebar @12"o.c./e.w. Grade 60
- W/ 6" Boots the Inverts Drops 1"
- Meets ATSM C-1227, 990, 923
- Monolithic Tank Design
- "Top Tight" Patented
- H-20 Traffic Rated
- MAGA Approved
- Print Not To Scale

Different inlet size inlet openings and locations are available by special order.
 Different access openings and adaptors rings are available by special orders.
 Height and lengths of tanks can be altered to adapt to conditions by special order.
 Jarrett Concrete reserves the right to make changes without notice.



Adenus Pump Tank 4000 Gallon Side Hole Rev 2

Date: 10-8-2020

Drawn By: L.Owen

Weight: 32,438 lbs

