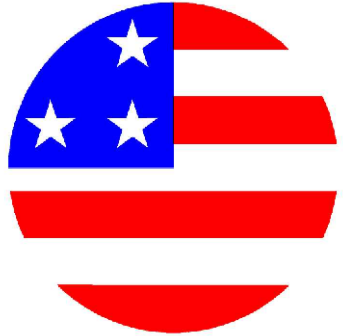
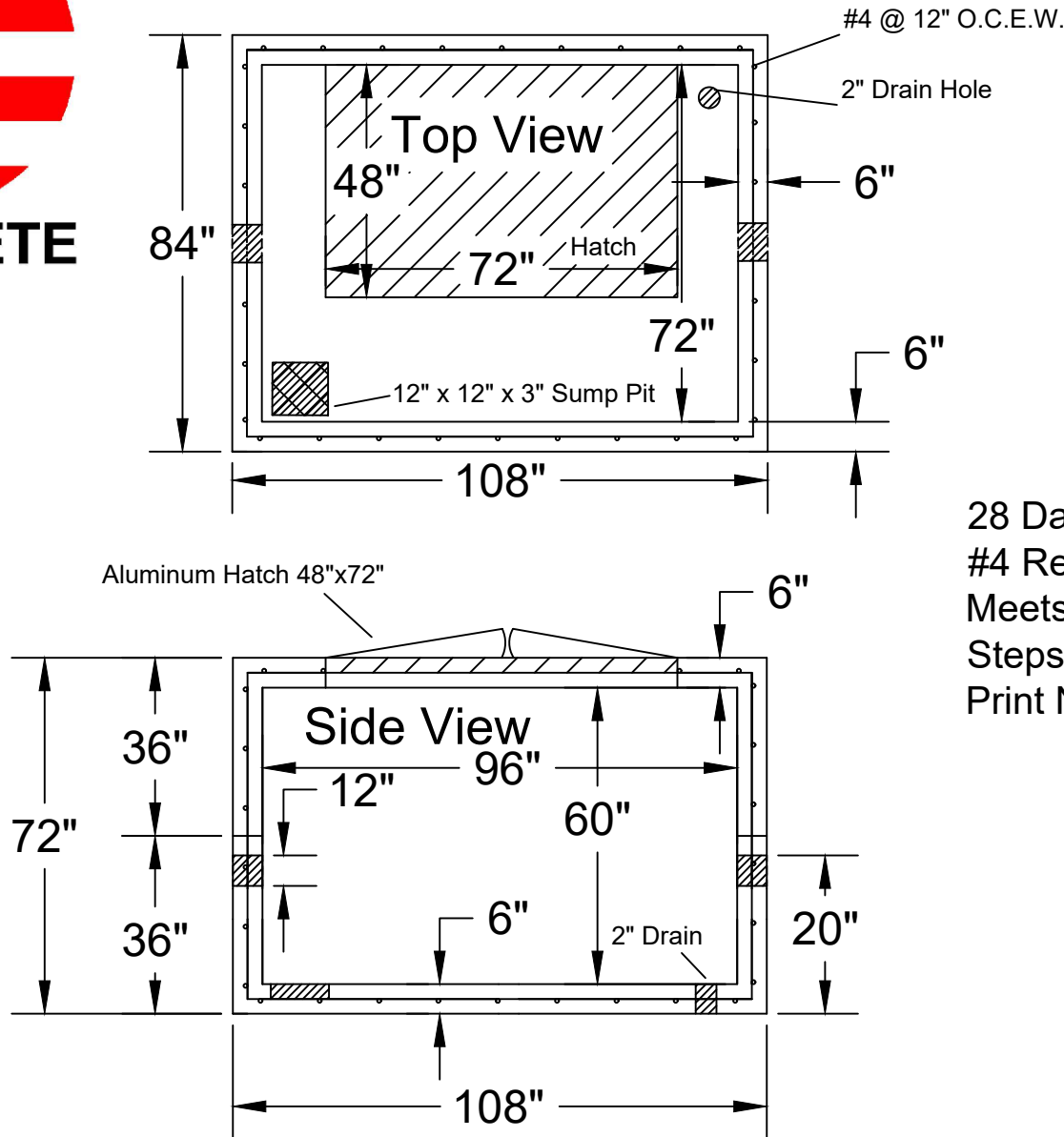


JARRETT



CONCRETE

Jarrett Concrete Products 615-792-9332  
2012 Hwy 12 South, Ashland City, TN 37015



28 Day, 5,000 PSI Concrete  
#4 Rebar, Grade 60  
Meets ATSM C923 & C990  
Steps Centered to Hatch  
Print Not To Scale



8' x 6' Metro Meter Vault w/ Sump & Drain

Date: 8-12-2019

Drawn By: L.Owen

Weight: 20,281 lbs