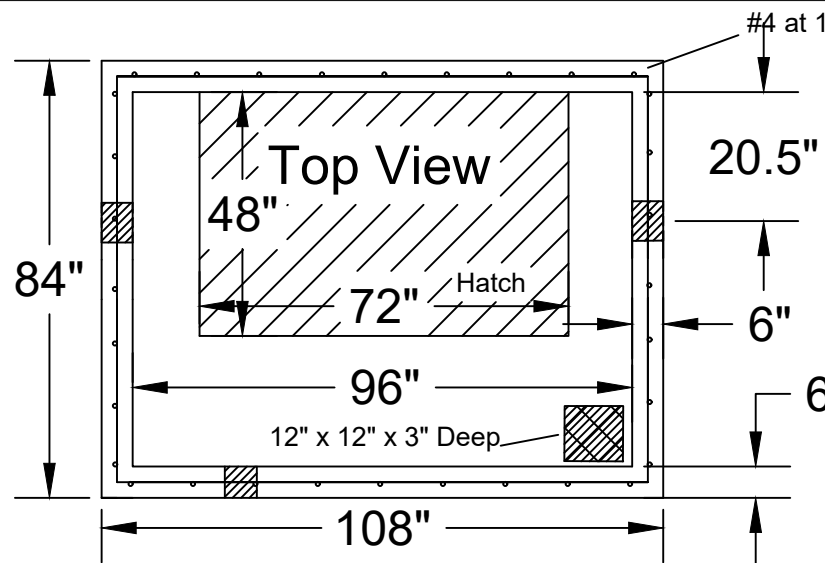
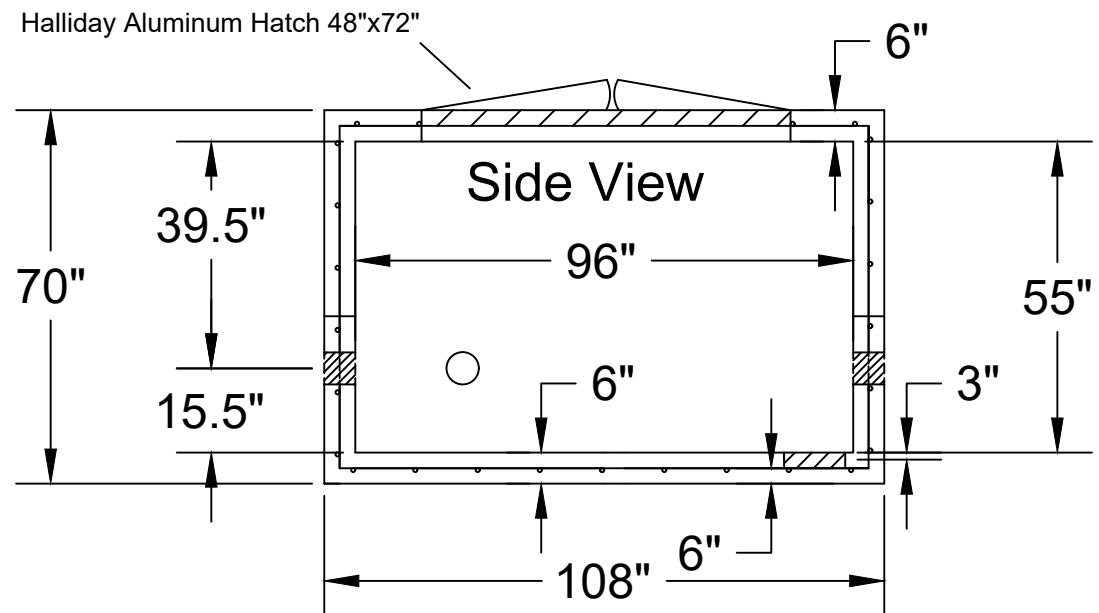




Jarrett Concrete Products 615-792-9332
 2012 Hwy 12 South, Ashland City, TN 37015



28 Day, 5,000 PSI Concrete
 #4 Rebar, Grade 60
 Meets ATSM C923 & C990
 Steps Centered to Hatch
 SWMP Hole to be Drilled by Contractor
 Print Not To Scale



8' x 6' Metro Fireline Meter Vault

Date: 10-2-2018	Drawn By: L.Owen	Weight: 18,000 lbs
-----------------	------------------	--------------------

