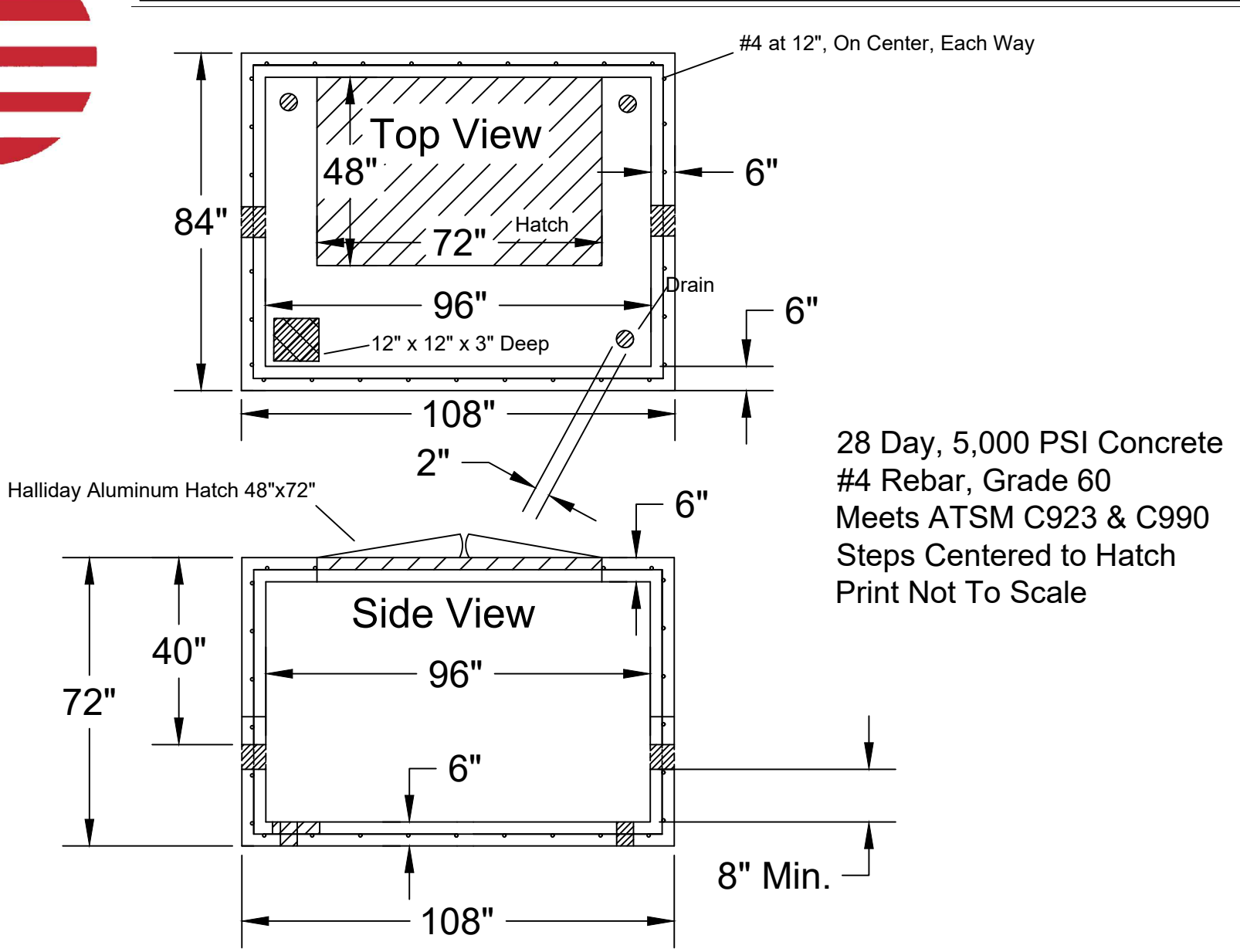




Jarrett Concrete Products 615-792-9332
2012 Hwy 12 South, Ashland City, TN 37015



28 Day, 5,000 PSI Concrete
#4 Rebar, Grade 60
Meets ATSM C923 & C990
Steps Centered to Hatch
Print Not To Scale

8' x 6' Metro Backflow Preventer Vault		
Date: 10-2-2018	Drawn By: L.Owen	Weight: 18,000 lbs

