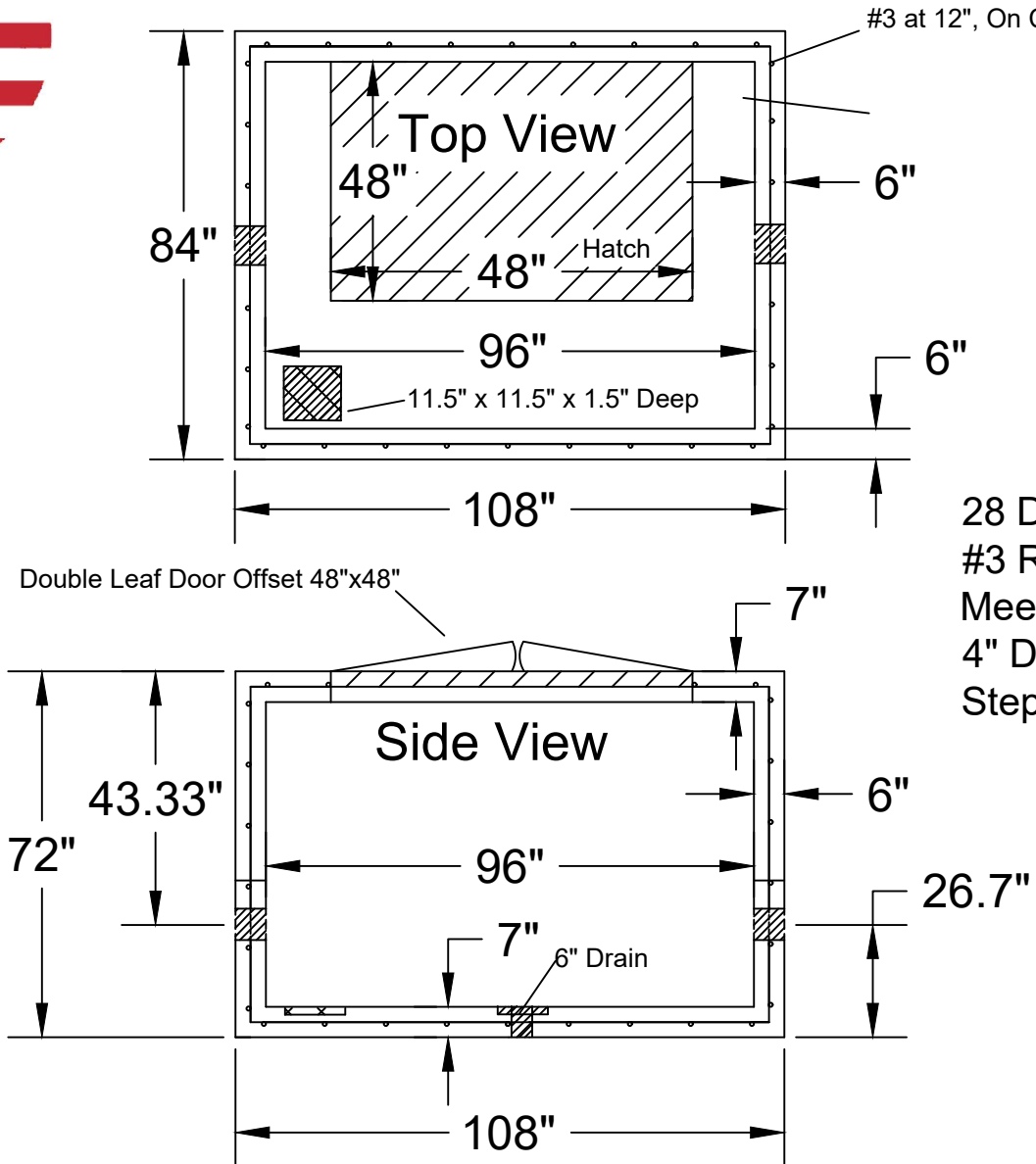




Jarrett Concrete Products 615-792-9332
 2012 Hwy 12 South, Ashland City, TN 37015



28 Day, 5,000 PSI Concrete
 #3 Rebar, Grade 60
 Meets ATSM C923 & C990
 4" D.I.P - 10" D.I.P.
 Steps Centered to Hatch

8' x 6' Meter Vault w/Internal Bypass		MWSD
Date: 4-20-2018	Drawn By: L. Owen	Weight: 18,000 lbs

