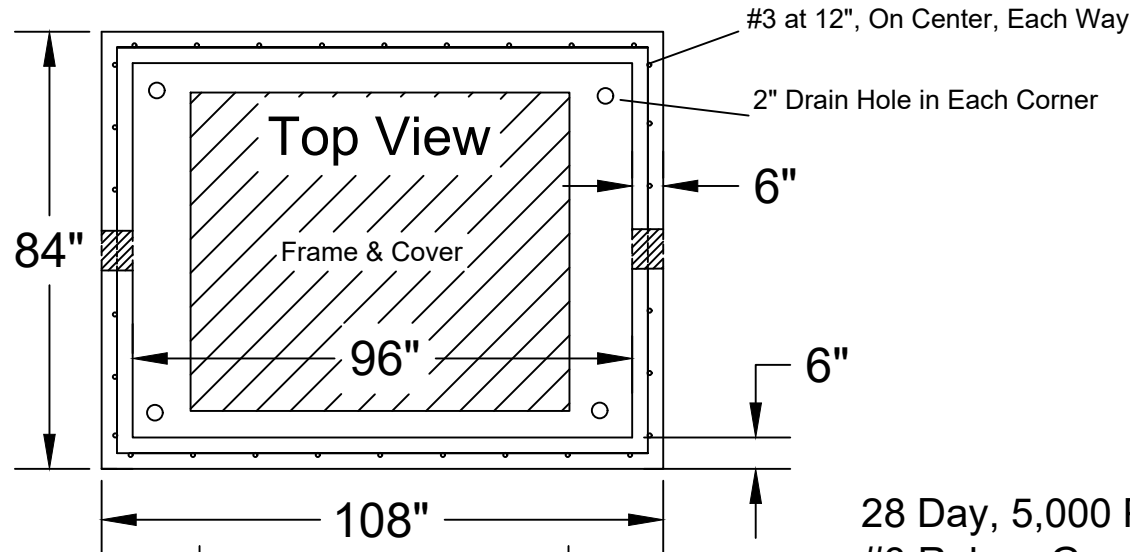
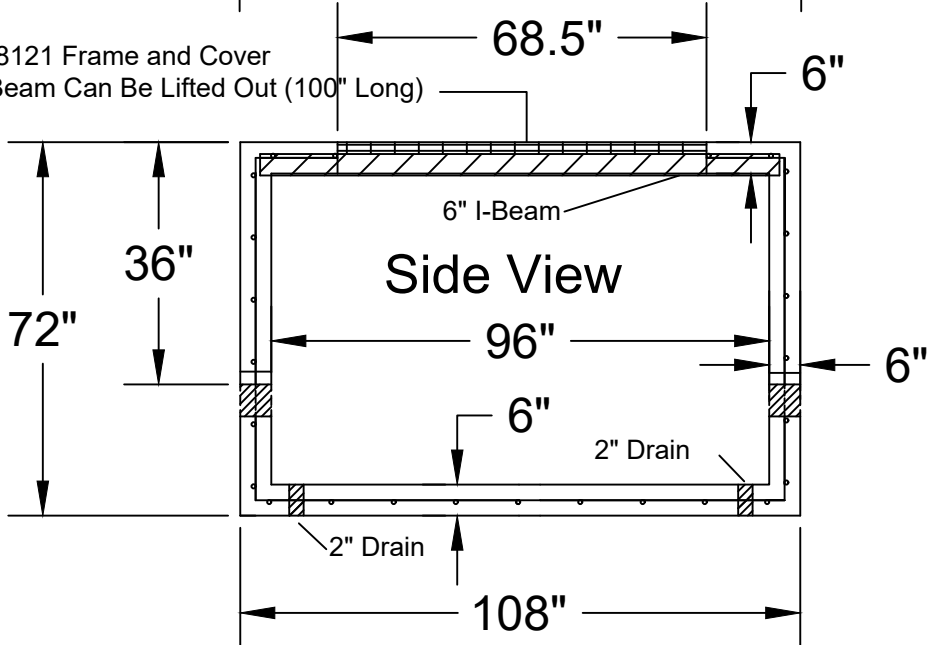




**Jarrett Concrete Products** 615-792-9332  
 2012 Hwy 12 South, Ashland City, TN 37015



JBS 8121 Frame and Cover  
 6" I-Beam Can Be Lifted Out (100" Long)



28 Day, 5,000 PSI Concrete  
 #3 Rebar, Grade 60  
 Meets ATSM C923 & C990  
 4" D.I.P - 10" D.I.P.  
 Steps Centered to Hatch  
 Print Not To Scale

<b>8' x 6' Fireline Meter Vault - 4", 6", 8" Nashville Metro</b>		
Date: 10-2-2018	Drawn By: L.Owen	Weight: 18,000 lbs

