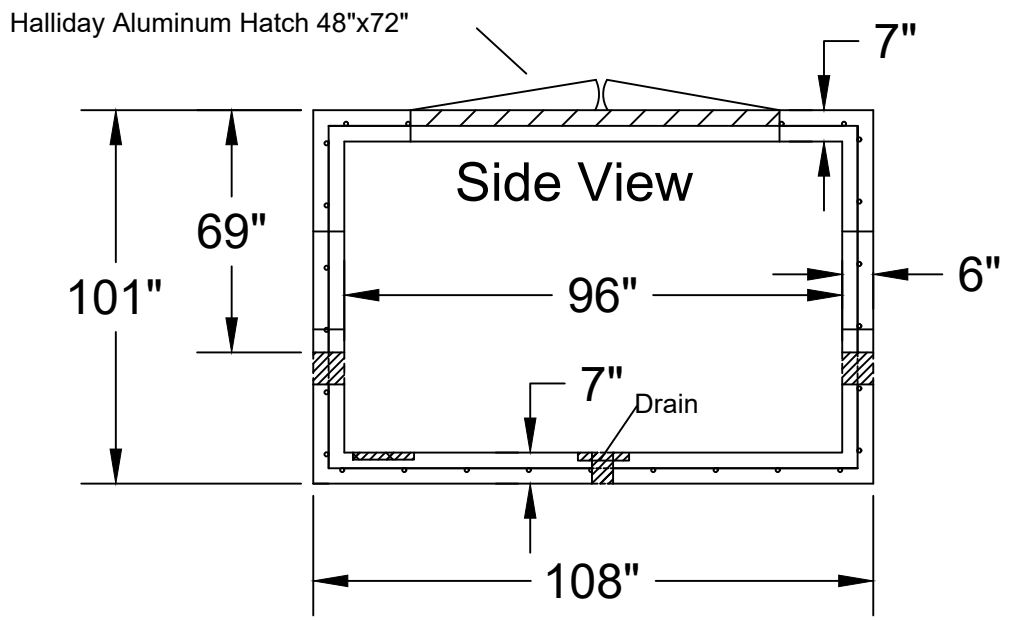
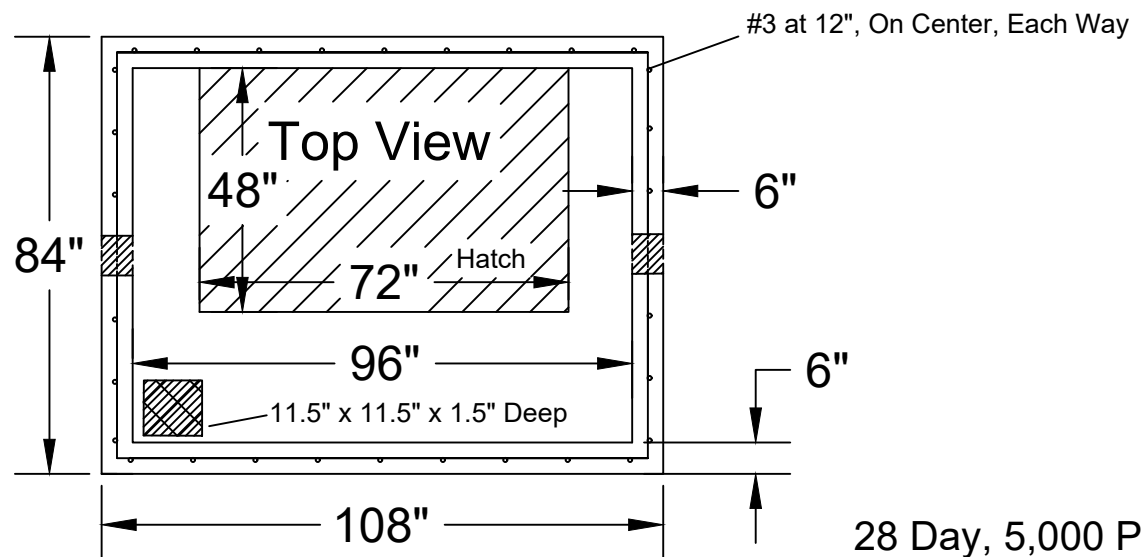




Jarrett Concrete Products 615-792-9332
 2012 Hwy 12 South, Ashland City, TN 37015



28 Day, 5,000 PSI Concrete
 #3 Rebar, Grade 60
 Meets ATSM C923 & C990
 4" D.I.P - 10" D.I.P.
 Steps Centered to Hatch
 Print Not To Scale

8' x 6' Fire Service Backflow - 12 inch City of Hendersonville



Date: 4-23-2018	Drawn By: L.Owen	Weight: 21,000 lbs
-----------------	------------------	--------------------