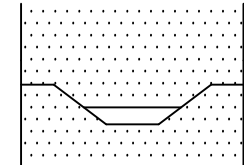
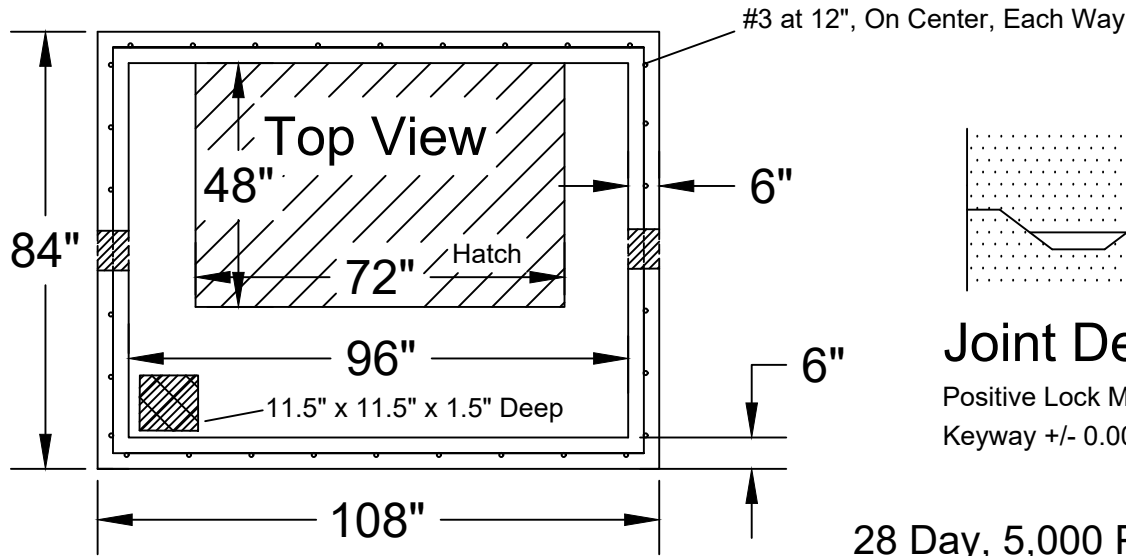




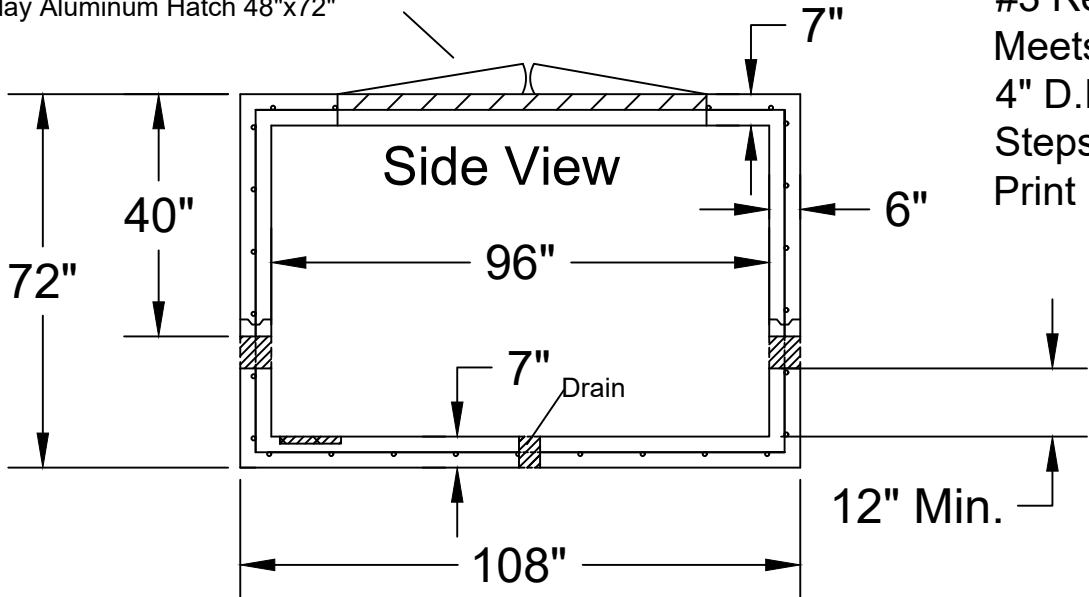
**Jarrett Concrete Products** 615-792-9332  
 2012 Hwy 12 South, Ashland City, TN 37015



**Joint Detail**  
 Positive Lock Male/Female  
 Keyway +/- 0.005 Tolerance

28 Day, 5,000 PSI Concrete  
 #3 Rebar, Grade 60  
 Meets ATSM C923 & C990  
 4" D.I.P - 10" D.I.P.  
 Steps Centered to Hatch  
 Print Not To Scale

Halliday Aluminum Hatch 48"x72"



<b>8' x 6' Fire Meter Vault - 8" City of Hendersonville</b>		
Date: 4-20-2018	Drawn By: L.Owen	Weight: 18,000 lbs

