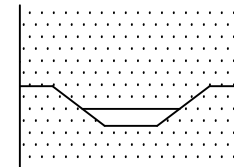
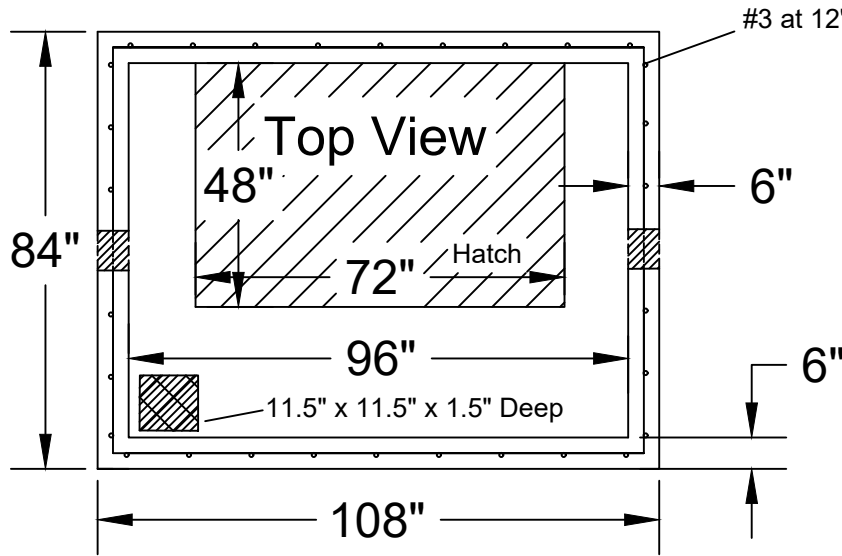




Jarrett Concrete Products 615-792-9332
 2012 Hwy 12 South, Ashland City, TN 37015

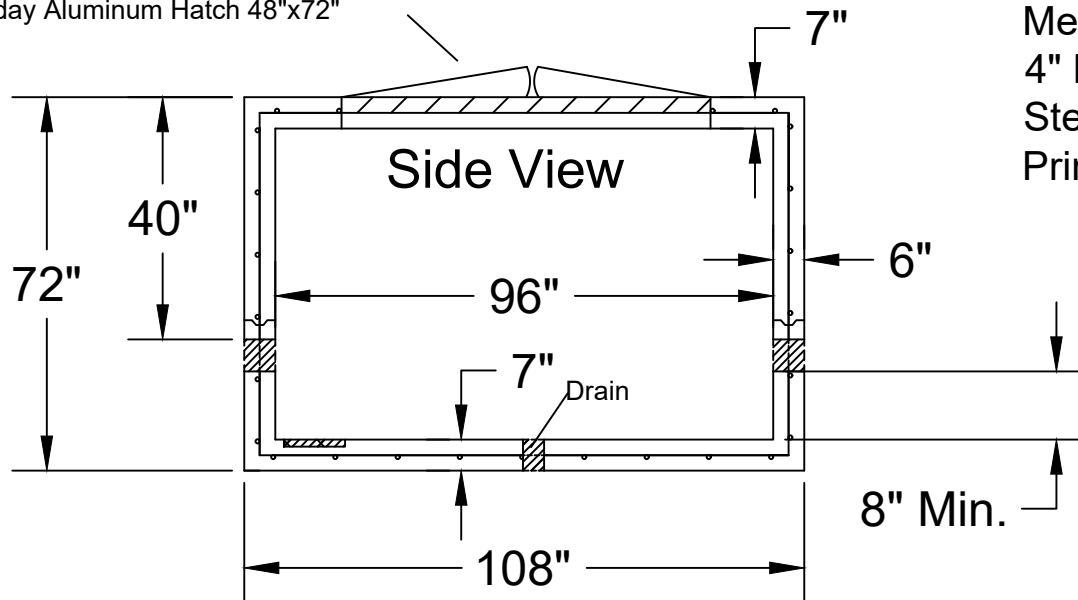


Joint Detail

Positive Lock Male/Female
 Keyway +/- 0.005 Tolerance

28 Day, 5,000 PSI Concrete
 #3 Rebar, Grade 60
 Meets ATSM C923 & C990
 4" D.I.P - 10" D.I.P.
 Steps Centered to Hatch
 Print Not To Scale

Halliday Aluminum Hatch 48"x72"



8' x 6' Fire Meter Vault - 6" & 8" City of Gladeville

Date: 4-20-2018

Drawn By: L.Owen

Weight: 18,000 lbs

