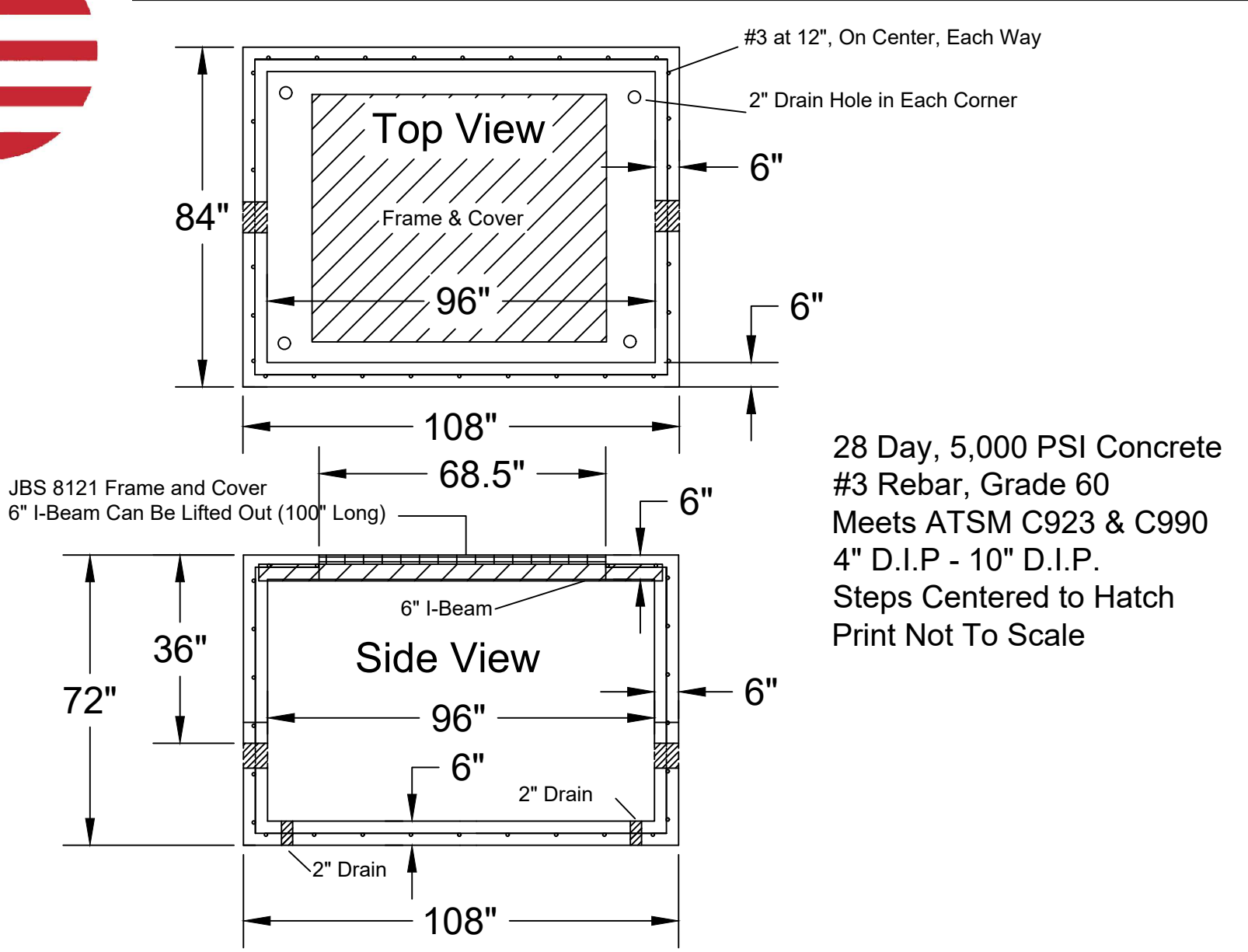




**Jarrett Concrete Products** 615-792-9332  
 2012 Hwy 12 South, Ashland City, TN 37015



**8' x 6' Domestic Omni Meter Vault - 4", 6", 8" Nashville Metro**

Date: 10-2-2018	Drawn By: L.Owen	Weight: 18,000 lbs
-----------------	------------------	--------------------

