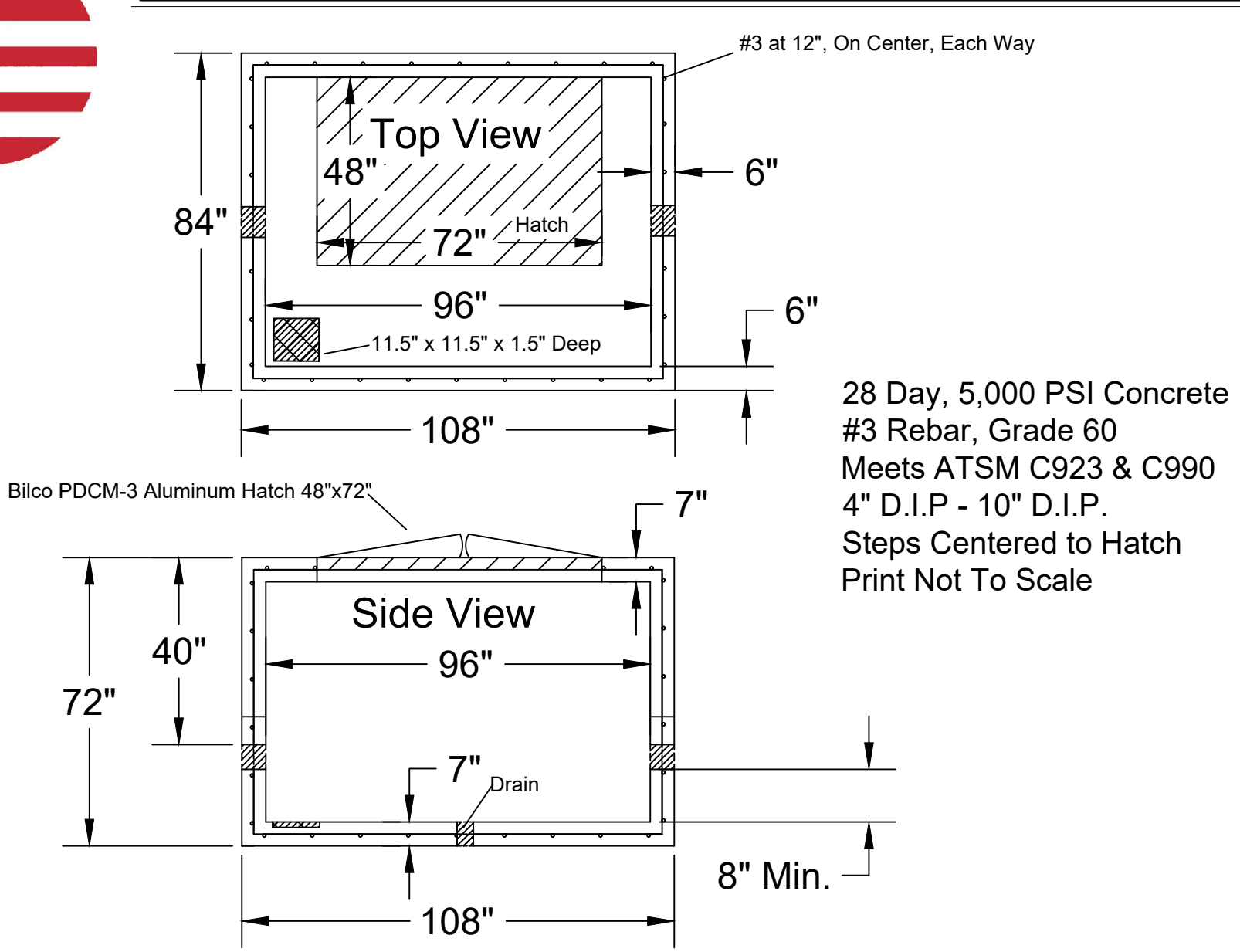




**Jarrett Concrete Products** 615-792-9332  
2012 Hwy 12 South, Ashland City, TN 37015



28 Day, 5,000 PSI Concrete  
#3 Rebar, Grade 60  
Meets ATSM C923 & C990  
4" D.I.P - 10" D.I.P.  
Steps Centered to Hatch  
Print Not To Scale



|                                                          |                  |
|----------------------------------------------------------|------------------|
| <b>8' x 6' Domestic Meter Box - 4" City of Brentwood</b> |                  |
| Date: 4-20-2018                                          | Drawn By: L.Owen |
| Weight: 18,000 lbs                                       |                  |