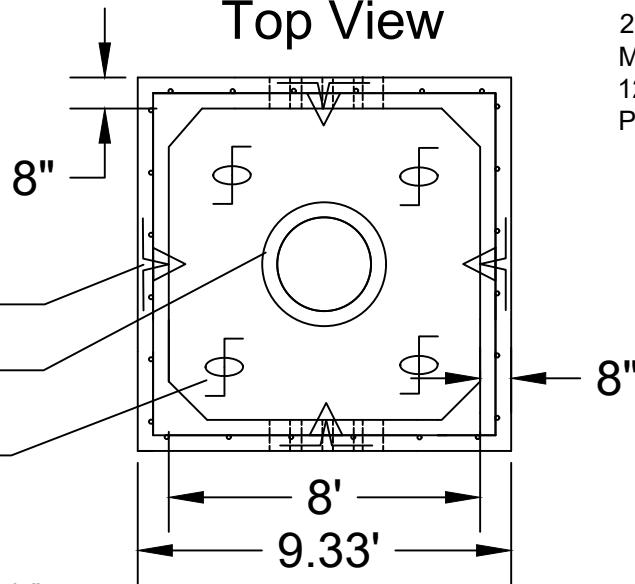




Jarrett Concrete Products 615-792-9332
 2012 Hwy 12 South, Ashland City, TN 37015

Top View

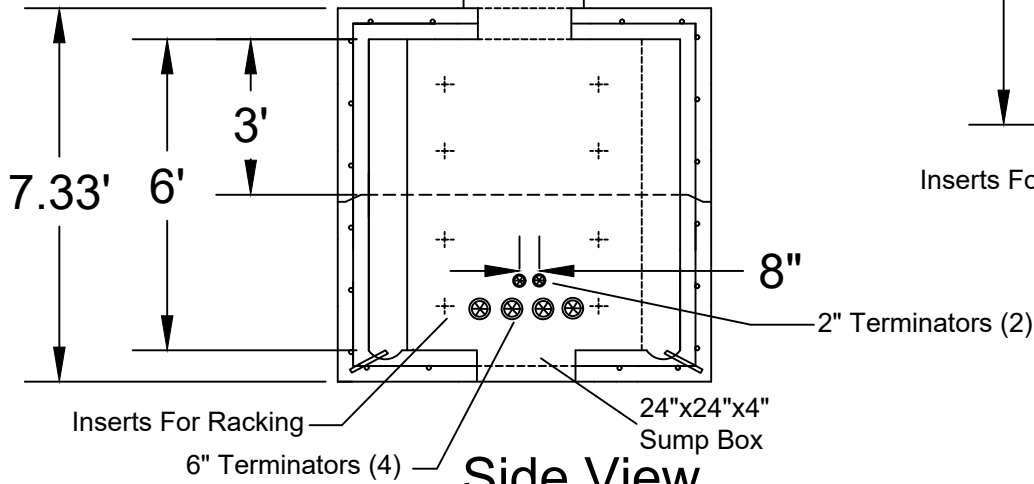


28 Day, 5,000 PSI Concrete
 Meets ASTM C857, C858, A615
 12" Haunches
 Print Not To Scale

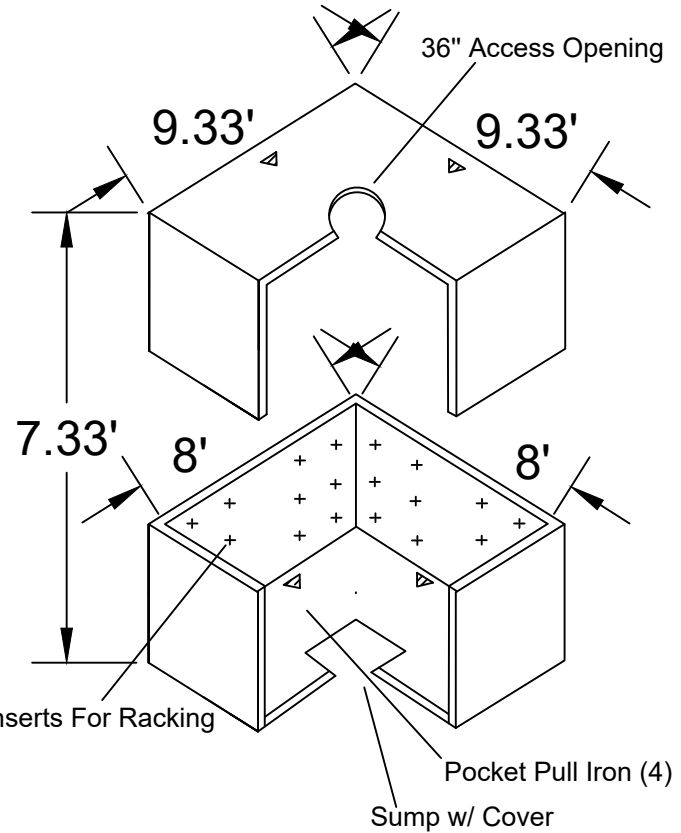
Recessed Pulling Irons (4)
 36" Access Opening
 Hook Lift Anchors

JBS 1132 Ring and Cover "Electric"

36" x 12" Grade Ring



Side View



Inserts For Racking
 Pocket Pull Iron (4)
 Sump w/ Cover



8' x 8' x 6' I.D. Utility Vault

Date: 5-9-2018

Drawn By: L.Owen

Weight: 31,000 lbs