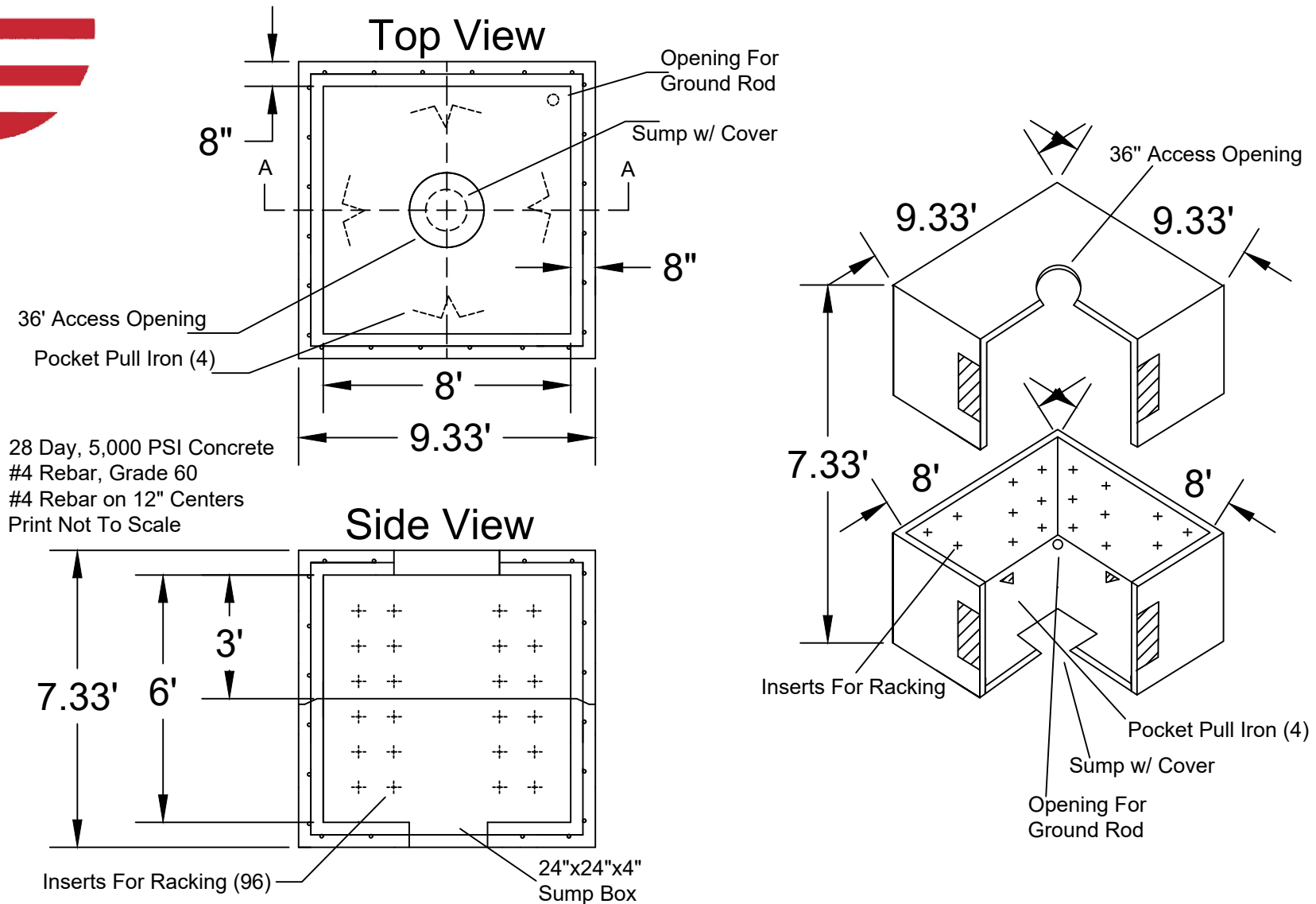




**Jarrett Concrete Products** 615-792-9332  
 2012 Hwy 12 South, Ashland City, TN 37015



<b>8'-0" x 8'-0" x 8'-0" Max I.D. Utility Vault</b>		
Date: <b>5-3-2018</b>	Drawn By: <b>L.Owen</b>	Weight: <b>31,000 lbs</b>

