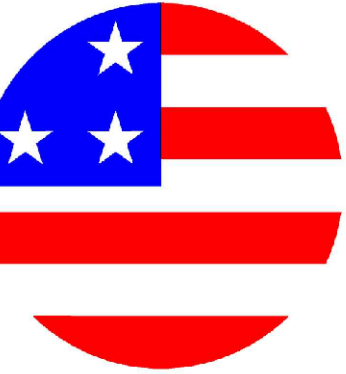
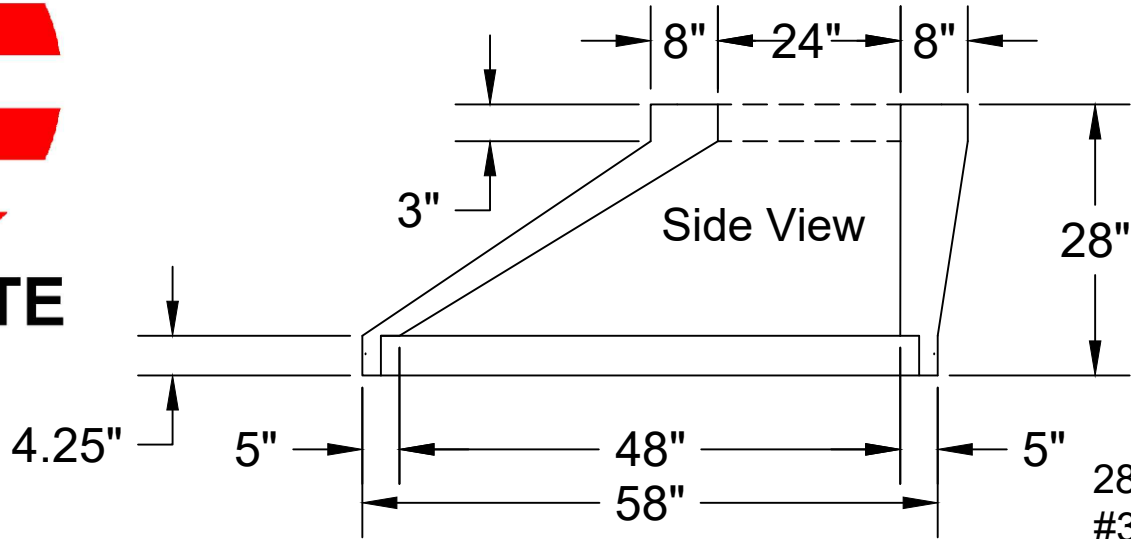


**JARRETT**

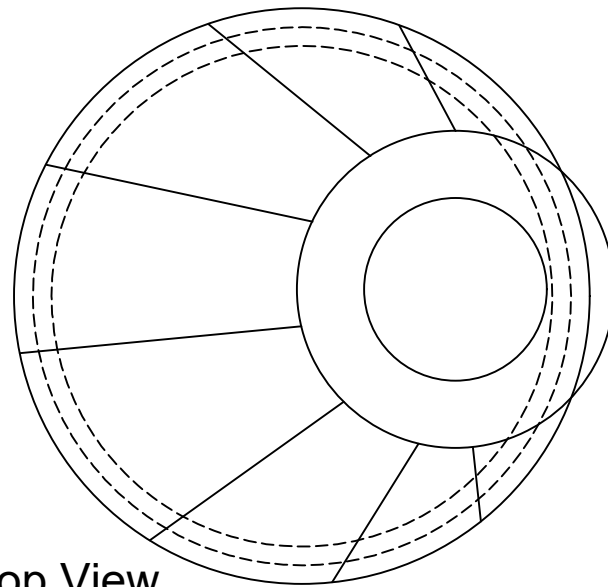


**CONCRETE**

**Jarrett Concrete Products** 615-792-9332  
2012 Hwy 12 South, Ashland City, TN 37015



28 Day, 5,000 PSI Concrete  
#3 Rebar, Grade 60, 12" o.c.e.w.  
Meets ASTM C-478  
MAGA Approved  
BASF 300D Waterproofing  
Print Not To Scale



Top View

**48" Manhole Eccentric Cone (Sanitary)**

Date: 1-22-2020

Drawn By: L.Owen

Weight: 4,000 lbs

