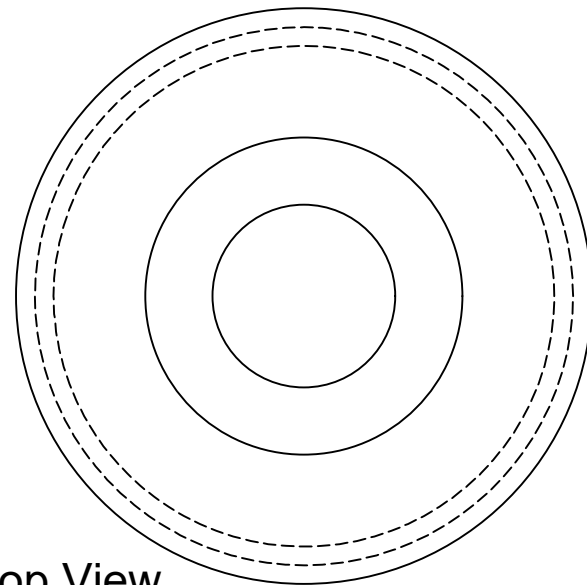
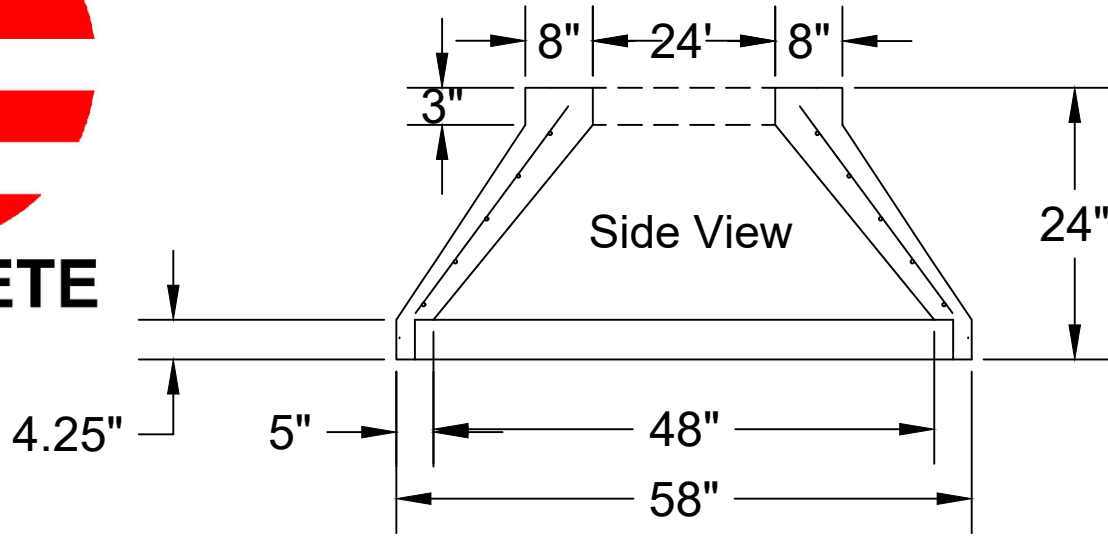
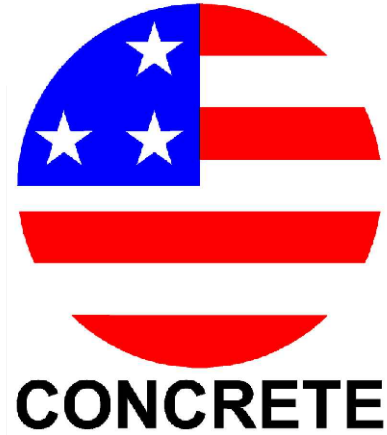


JARRETT

Jarrett Concrete Products 615-792-9332
2012 Hwy 12 South, Ashland City, TN 37015



28 Day, 5,000 PSI Concrete
#3 Rebar, Grade 60, 12" o.c.e.w.
Meets ASTM C-478
MAGA Approved
BASF 300D Waterproofing
Print Not To Scale

48" Manhole Concentric Cone (Sanitary)

Date: 1-22-2020

Drawn By: L.Owen

Weight: 1,200 lbs

