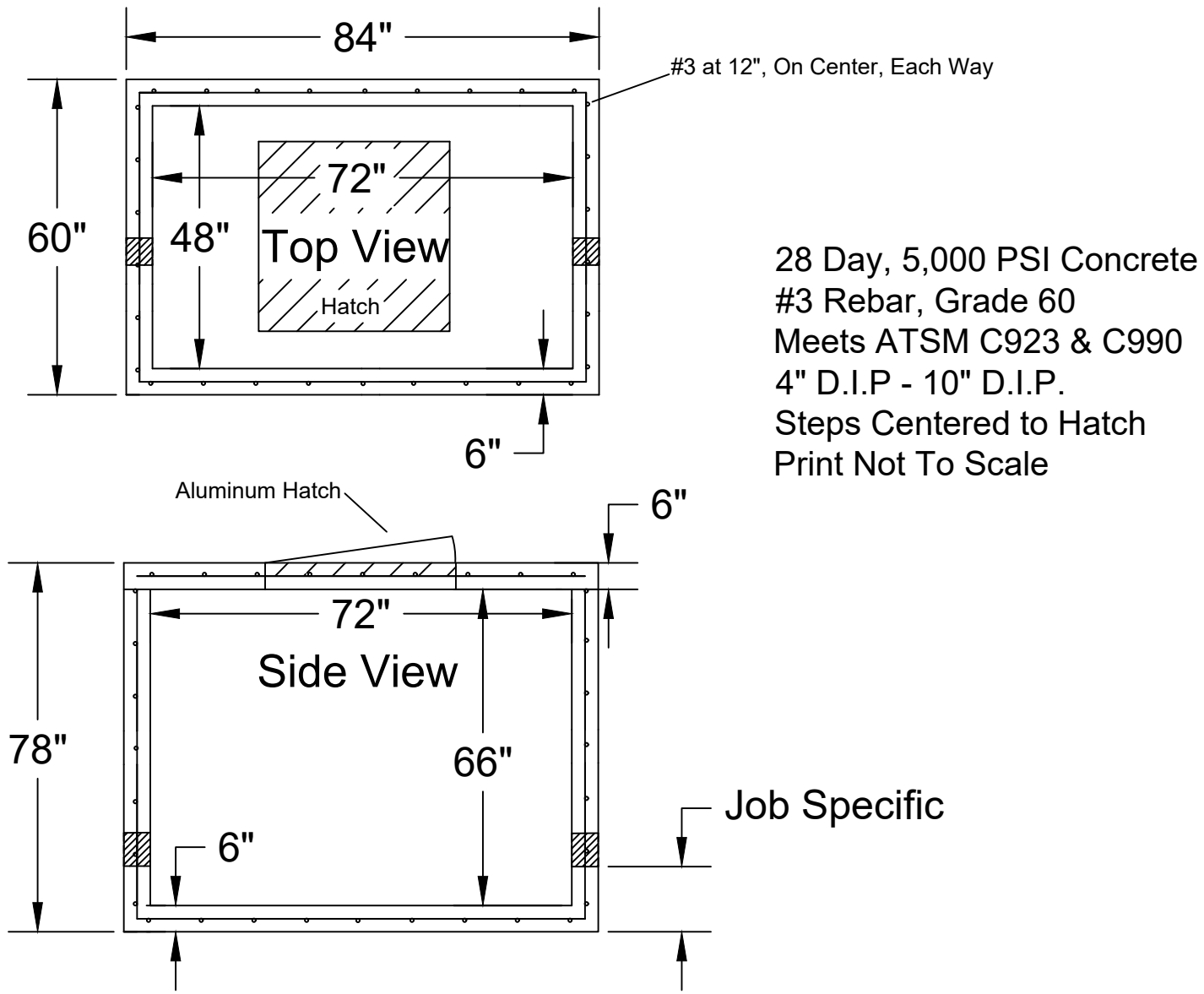




Jarrett Concrete Products 615-792-9332
2012 Hwy 12 South, Ashland City, TN 37015



4' x 6' x 5'-6" Water Meter Vault

Date: 4-24-2018

Drawn By: L. Owen

Weight: 14,000 lbs

