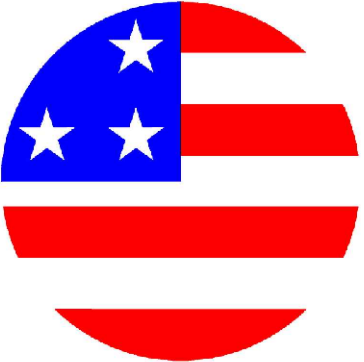
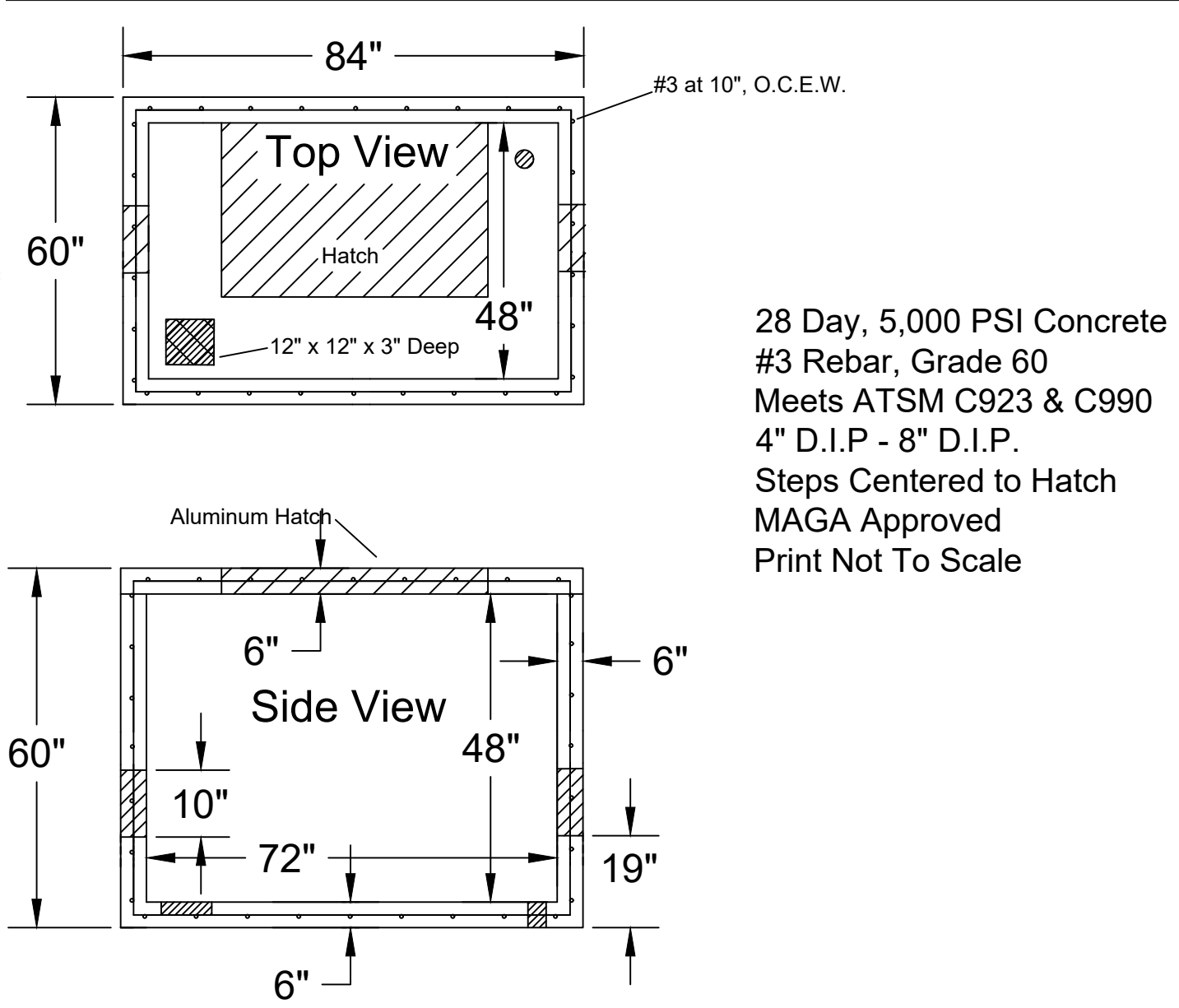


**JARRETT**



**CONCRETE**

**Jarrett Concrete Products** 615-792-9332  
2012 Hwy 12 South, Ashland City, TN 37015



28 Day, 5,000 PSI Concrete  
#3 Rebar, Grade 60  
Meets ATSM C923 & C990  
4" D.I.P - 8" D.I.P.  
Steps Centered to Hatch  
MAGA Approved  
Print Not To Scale

<b>4 x 6 x 4T Vault</b>		
Date: 10/21/2018	Drawn By: L.Owen	Weight: 11,610 lbs

