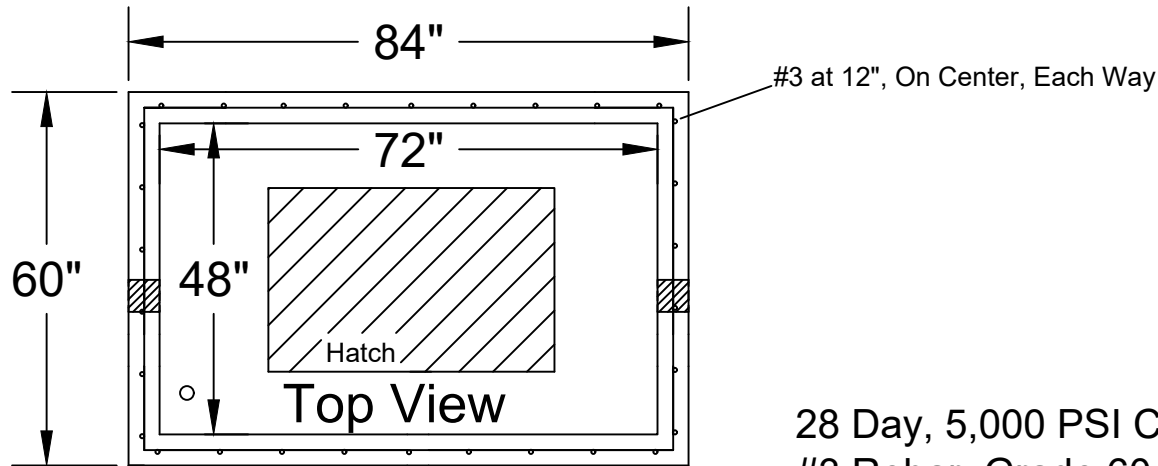
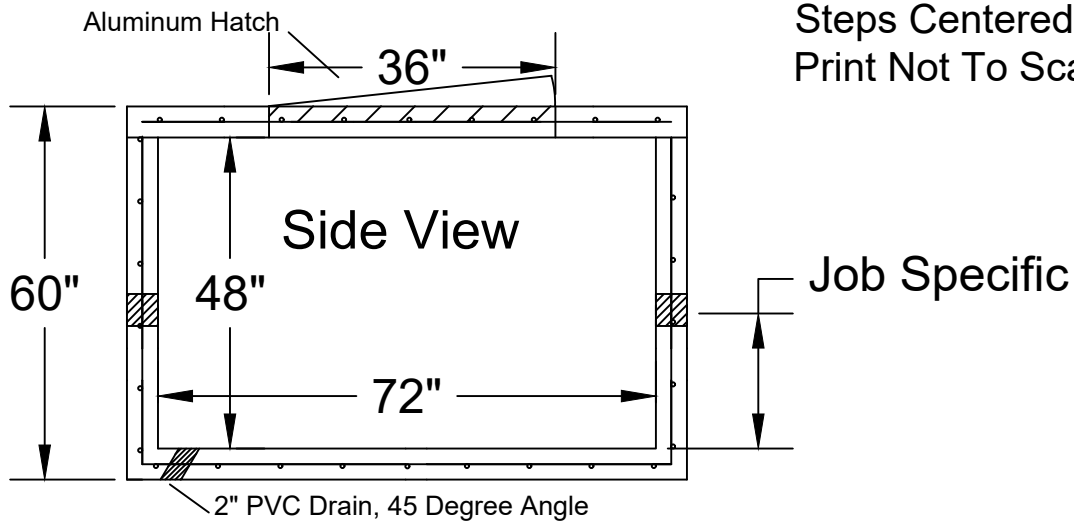




**Jarrett Concrete Products** 615-792-9332  
2012 Hwy 12 South, Ashland City, TN 37015



28 Day, 5,000 PSI Concrete  
#3 Rebar, Grade 60  
Meets ATSM C923 & C990  
4" D.I.P - 10" D.I.P.  
Steps Centered to Hatch  
Print Not To Scale



<b>4' x 6' Meter Vault</b>		<b>City of Fayetteville</b>	
Date: 4-24-2018	Drawn By: L.Owen	Weight: 10,000 lbs	

