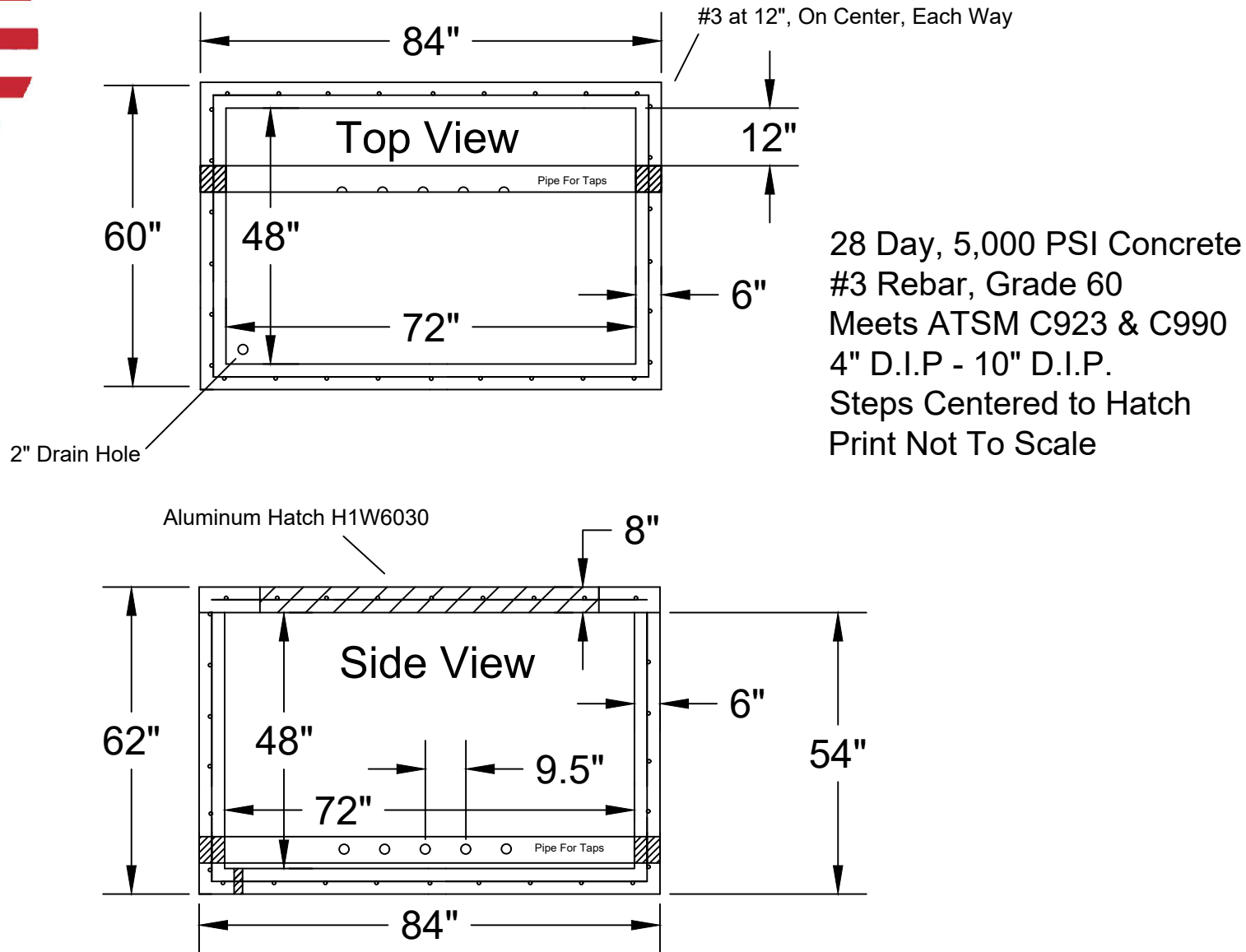




Jarrett Concrete Products 615-792-9332
2012 Hwy 12 South, Ashland City, TN 37015



5 Gang - 1" Meter Vault MWSD 4' x 6' x 4' (HS20)

Date: 4-24-2018

Drawn By: L.Owen

Weight: 12,000 lbs

