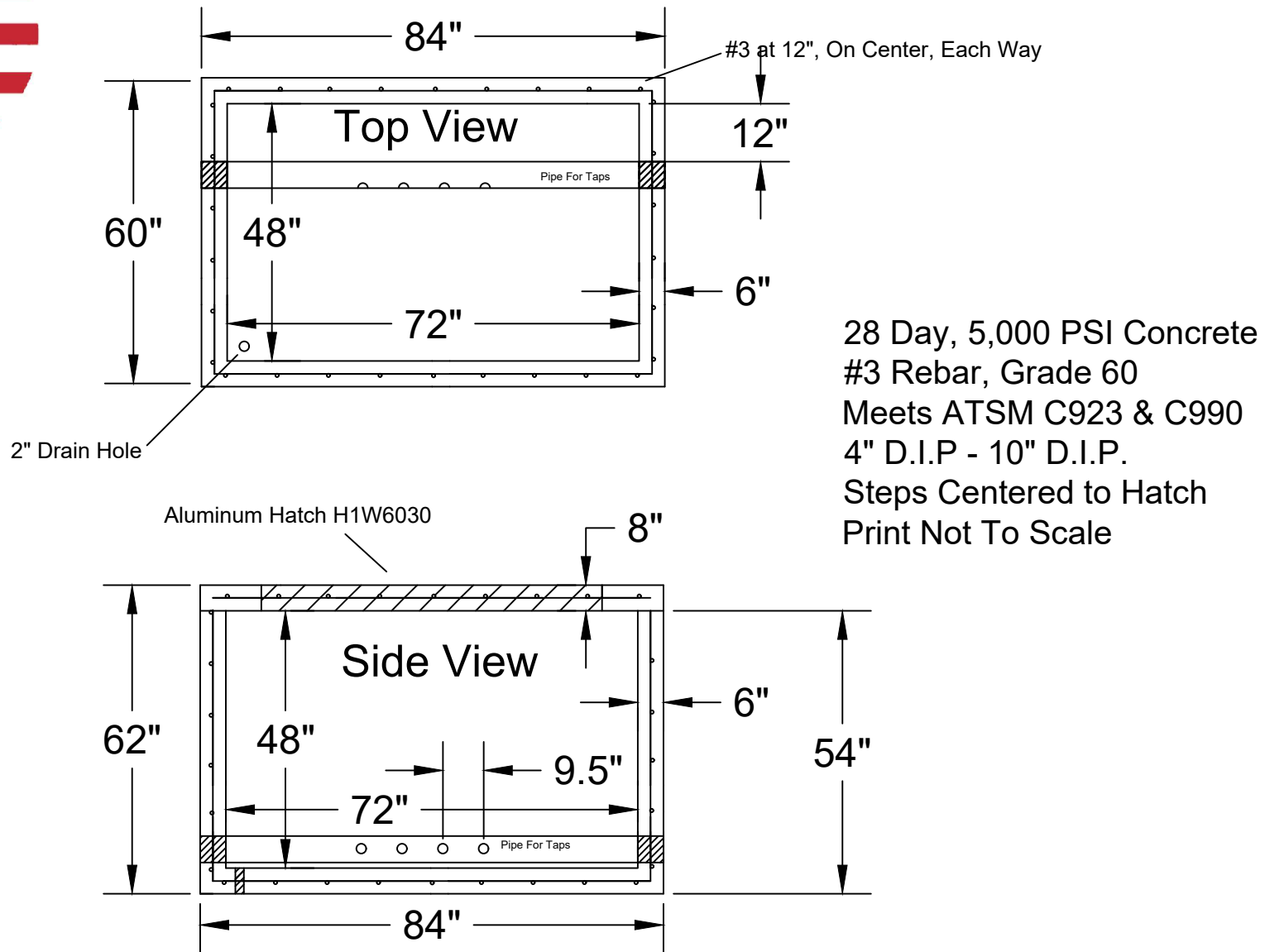




Jarrett Concrete Products 615-792-9332
 2012 Hwy 12 South, Ashland City, TN 37015



28 Day, 5,000 PSI Concrete
 #3 Rebar, Grade 60
 Meets ATSM C923 & C990
 4" D.I.P - 10" D.I.P.
 Steps Centered to Hatch
 Print Not To Scale

4 Gang - 1" Meter Vault MWSD 4' x 6' x 4' (HS20)

Date: 4-24-2018

Drawn By: L.Owen

Weight: 12,000 lbs

