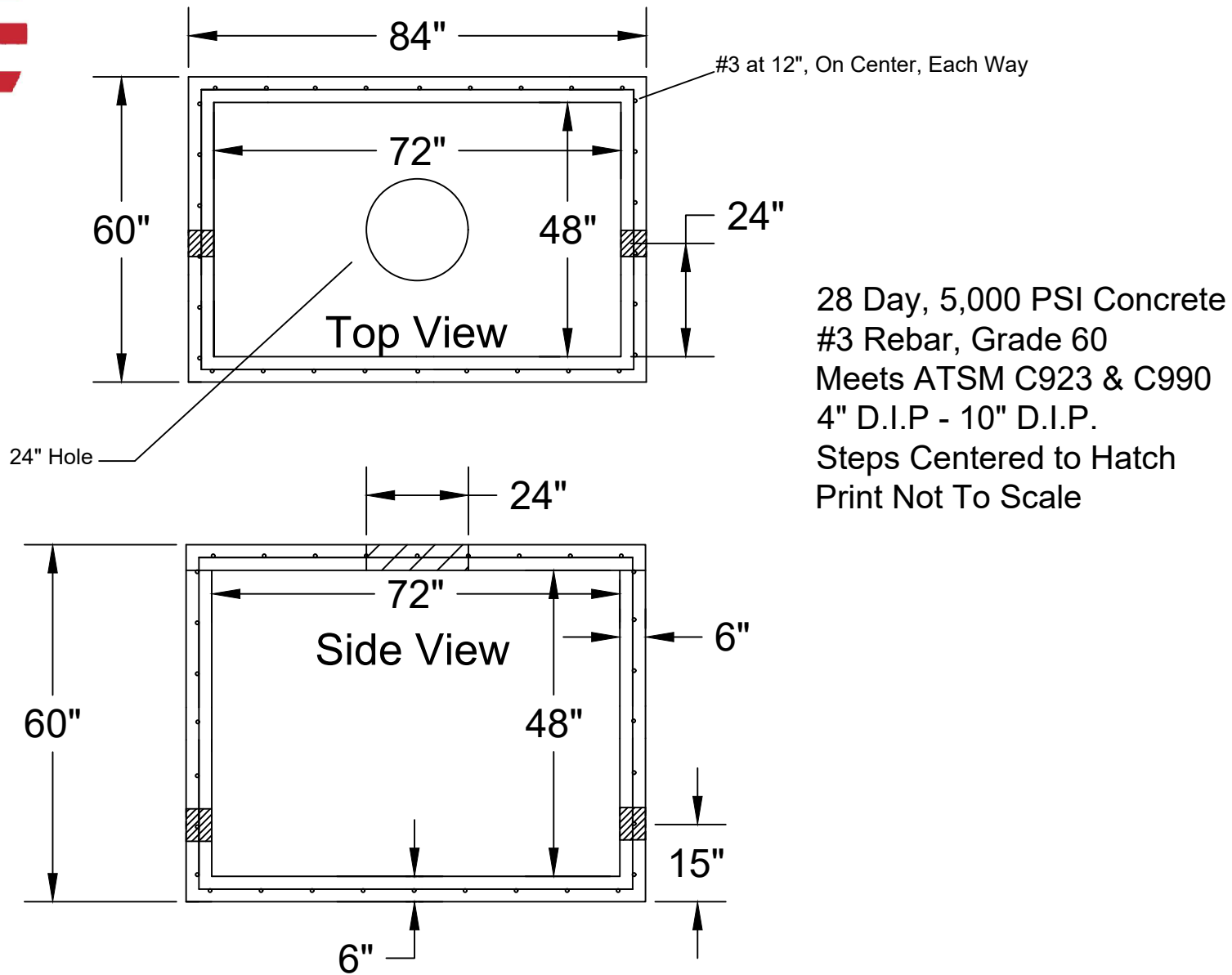




Jarrett Concrete Products 615-792-9332
2012 Hwy 12 South, Ashland City, TN 37015



4 x 6 x 4T Vault

Date: 5/11/2018

Drawn By: L. Owen

Weight: 6,000 lbs