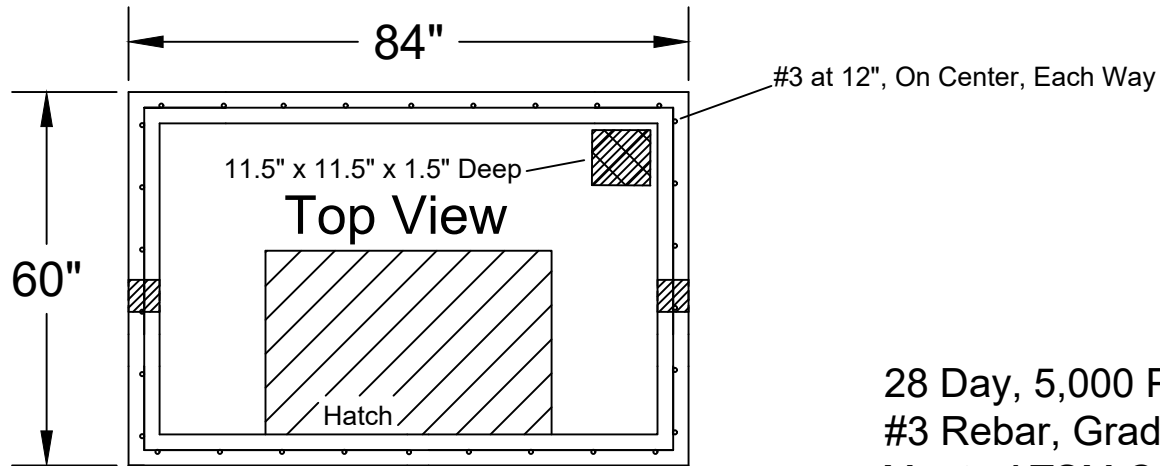
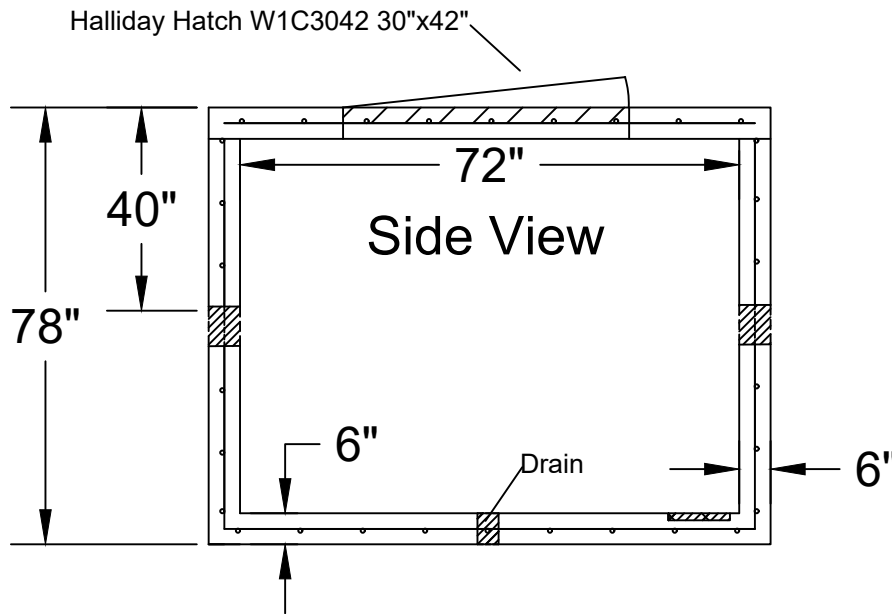




Jarrett Concrete Products 615-792-9332
2012 Hwy 12 South, Ashland City, TN 37015



28 Day, 5,000 PSI Concrete
#3 Rebar, Grade 60
Meets ATSM C923 & C990
4" D.I.P. - 10" D.I.P.
Steps Centered to Hatch
Print Not To Scale



4' x 6' Water Meter Vault - 4" City of Gladeville

Date: 4-24-2018

Drawn By: L. Owen

Weight: 12,000 lbs

