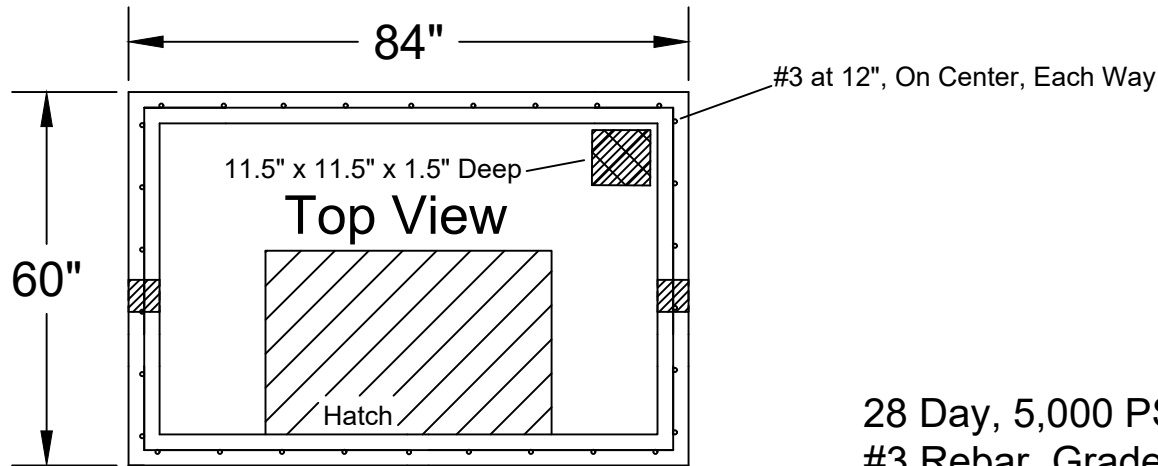
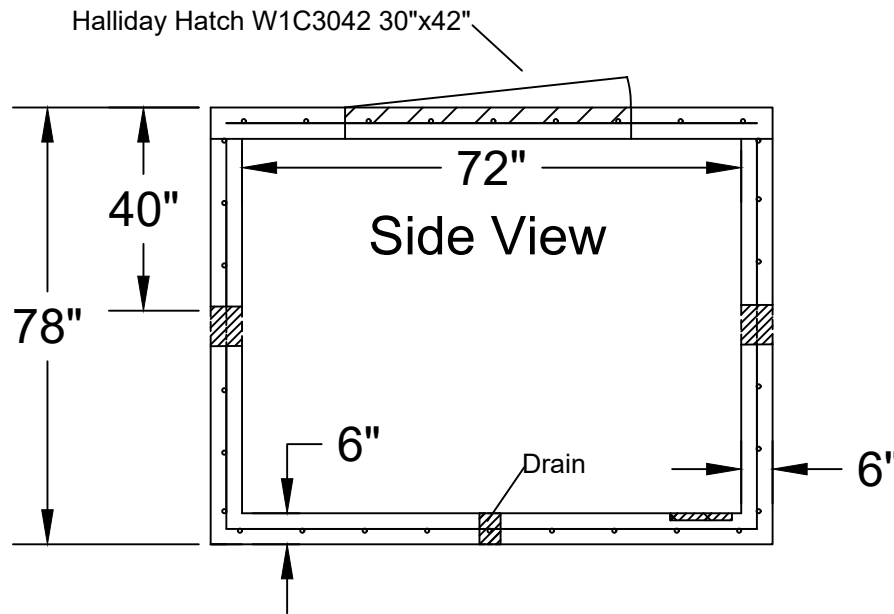




**Jarrett Concrete Products** 615-792-9332  
2012 Hwy 12 South, Ashland City, TN 37015



28 Day, 5,000 PSI Concrete  
#3 Rebar, Grade 60  
Meets ATSM C923 & C990  
4" D.I.P - 10" D.I.P.  
Steps Centered to Hatch  
Print Not To Scale



4' x 6' Water Meter Vault - 3" City of Gladeville

Date: 4-24-2018

Drawn By: L.Owen

Weight: 12,000 lbs

