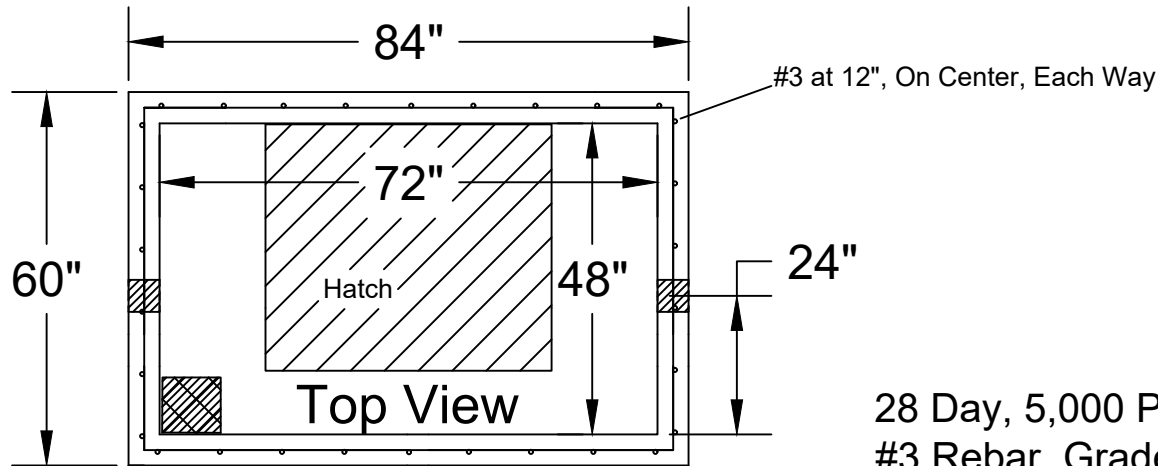
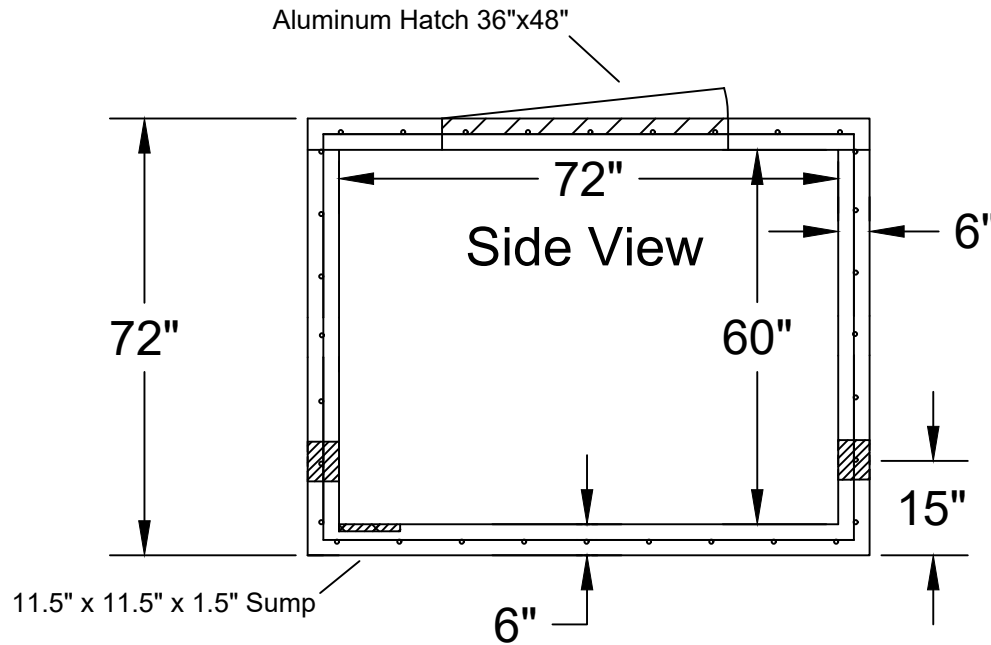




Jarrett Concrete Products 615-792-9332
2012 Hwy 12 South, Ashland City, TN 37015



28 Day, 5,000 PSI Concrete
#3 Rebar, Grade 60
Meets ATSM C923 & C990
4" D.I.P - 10" D.I.P.
Steps Centered to Hatch
Print Not To Scale



4' x 6' x 5' Meter Vault City of White House		
Date: 4-24-2018	Drawn By: L.Owen	Weight: 13,000 lbs

