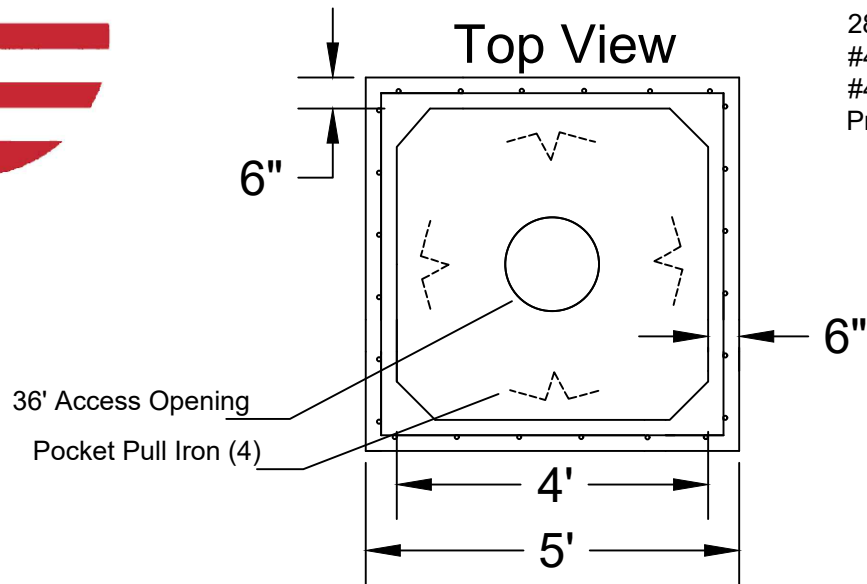
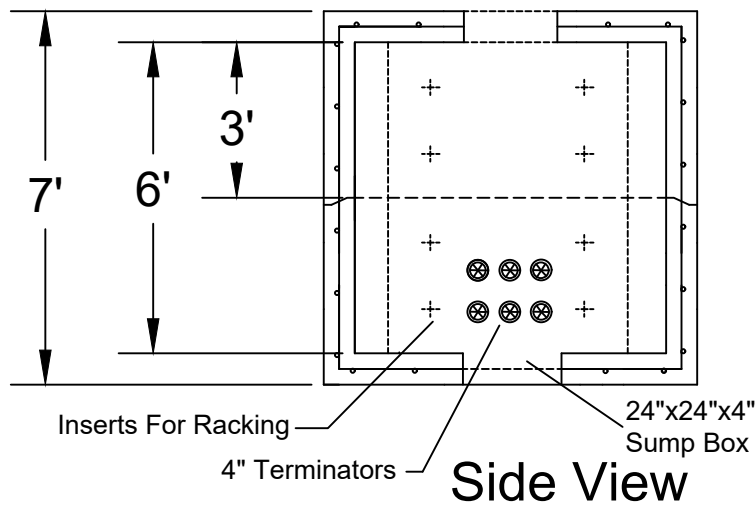
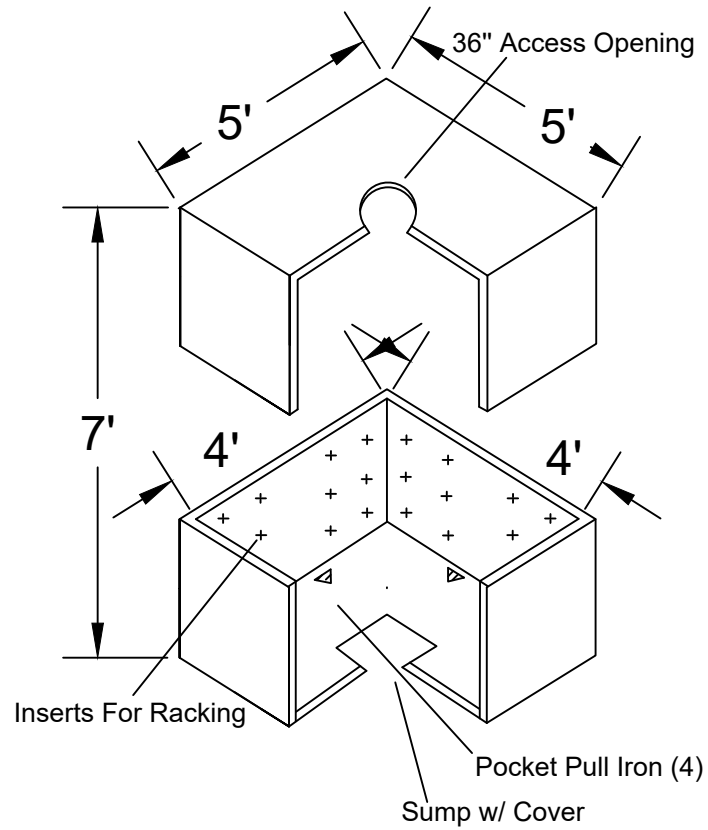




Jarrett Concrete Products 615-792-9332
 2012 Hwy 12 South, Ashland City, TN 37015



28 Day, 5,000 PSI Concrete
 #4 Rebar, Grade 60
 #4 Rebar on 12" Centers
 Print Not To Scale



4' x 4' x 6' I.D. Utility Vault		
Date: 5-4-2018	Drawn By: L.Owen	Weight: 21,000 lbs

