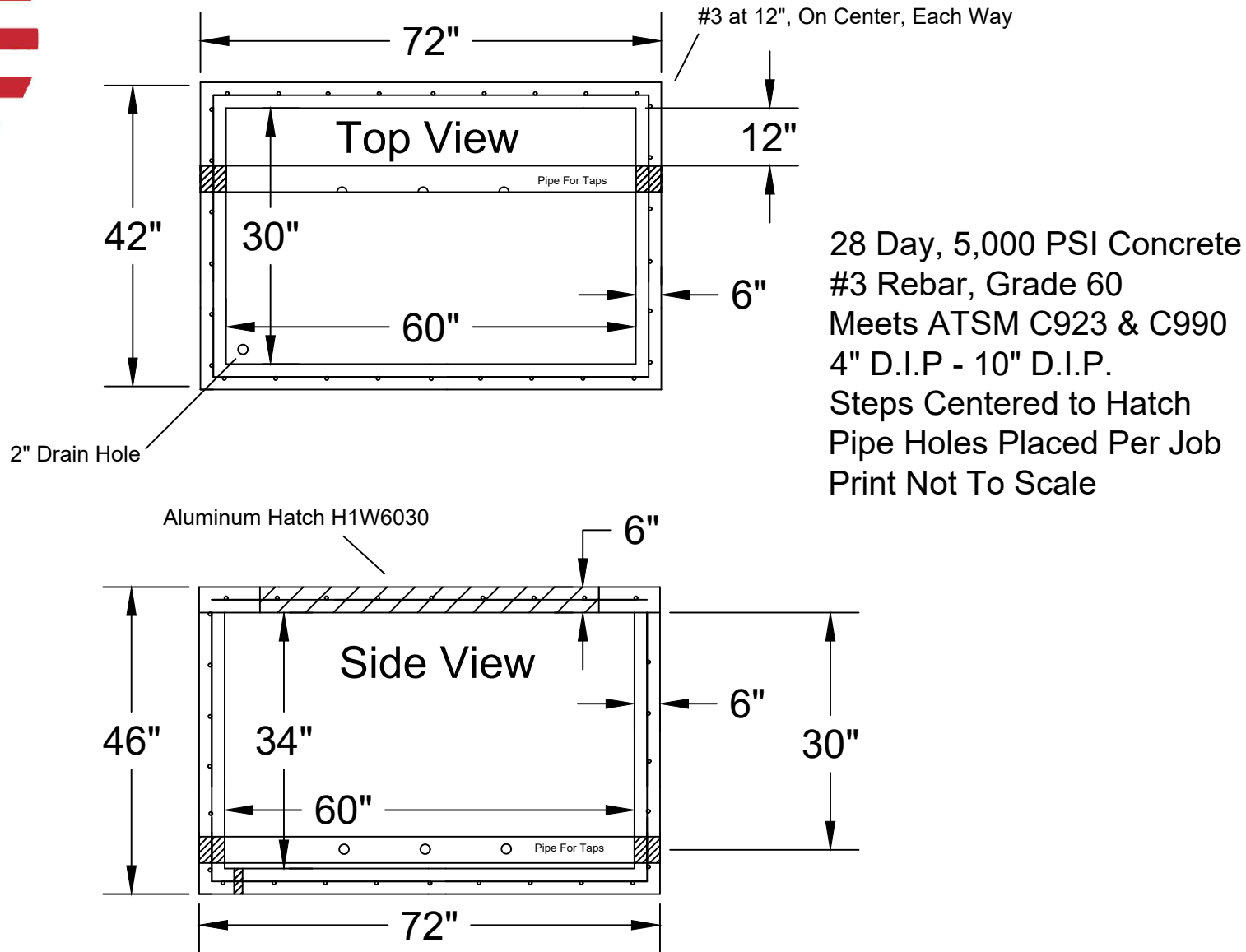




Jarrett Concrete Products 615-792-9332
2012 Hwy 12 South, Ashland City, TN 37015



3 Gang - 30 x 60 Meter Vault		
Date: 5-24-2018	Drawn By: L.Owen	Weight: 9,957 lbs

