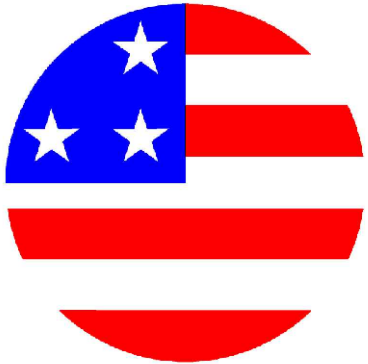


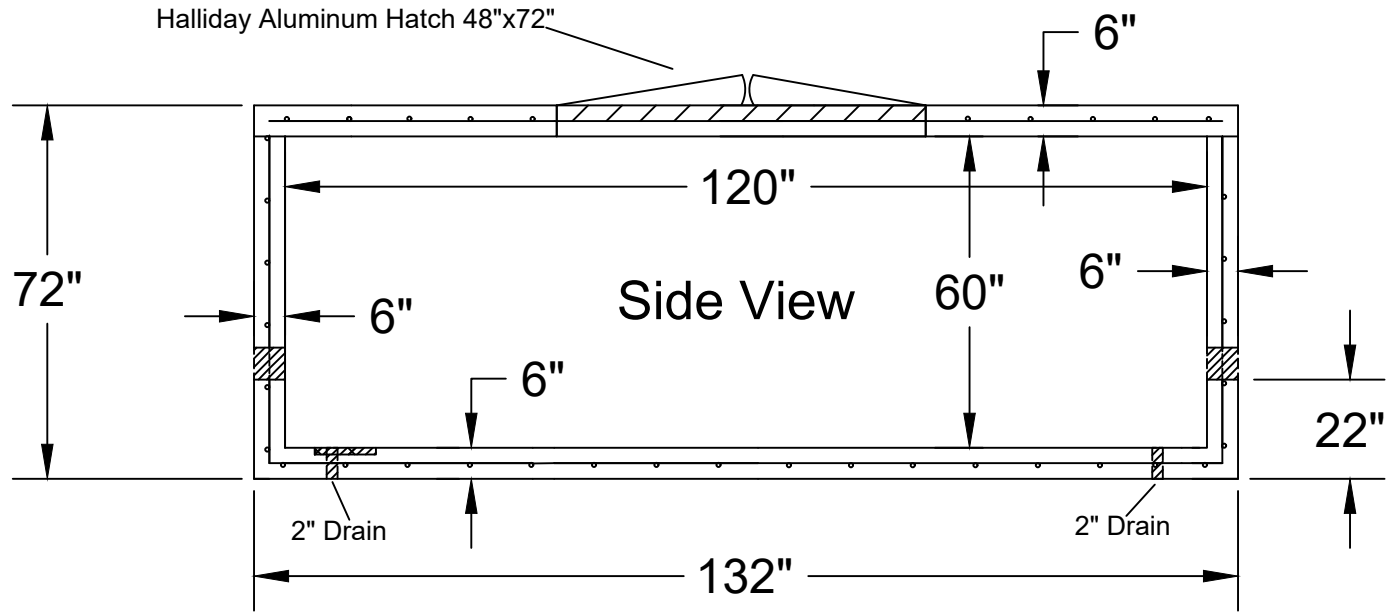
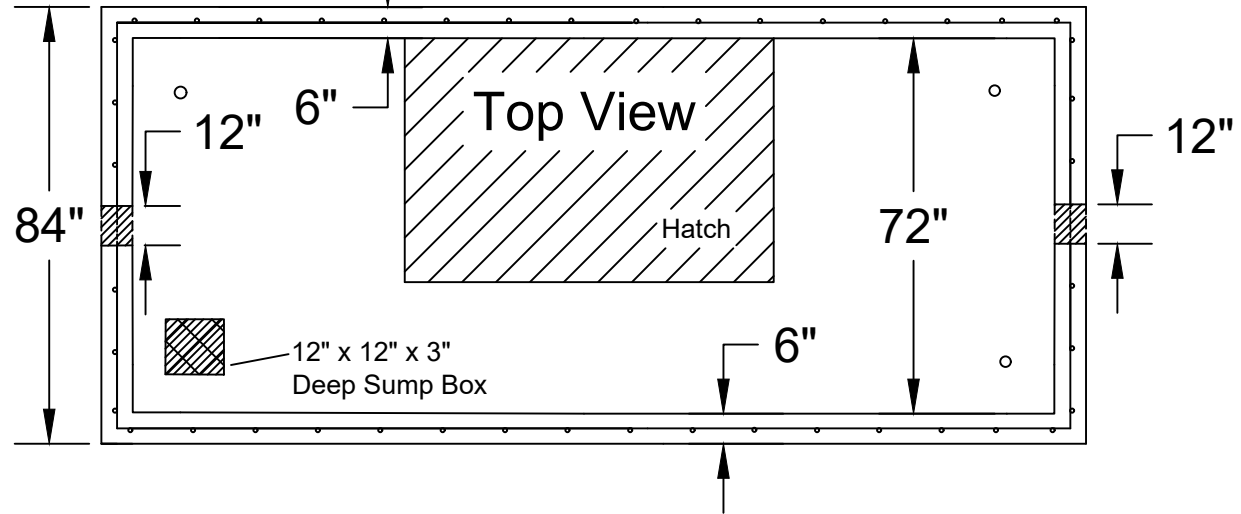
**JARRETT**



**CONCRETE**

28 Day, 5,000 PSI Concrete  
#4 Rebar, Grade 60, 12" O/C  
Meets ATSM C923 & C990  
4" D.I.P - 10" D.I.P.  
Steps Centered to Hatch  
Print Not To Scale

**Jarrett Concrete Products** 615-792-9332  
2012 Hwy 12 South, Ashland City, TN 37015



**10' x 6' x 5' Domestic Meter Box**

Date: 11-1-2019

Drawn By: L.Owen

Weight: 23,809 lbs

