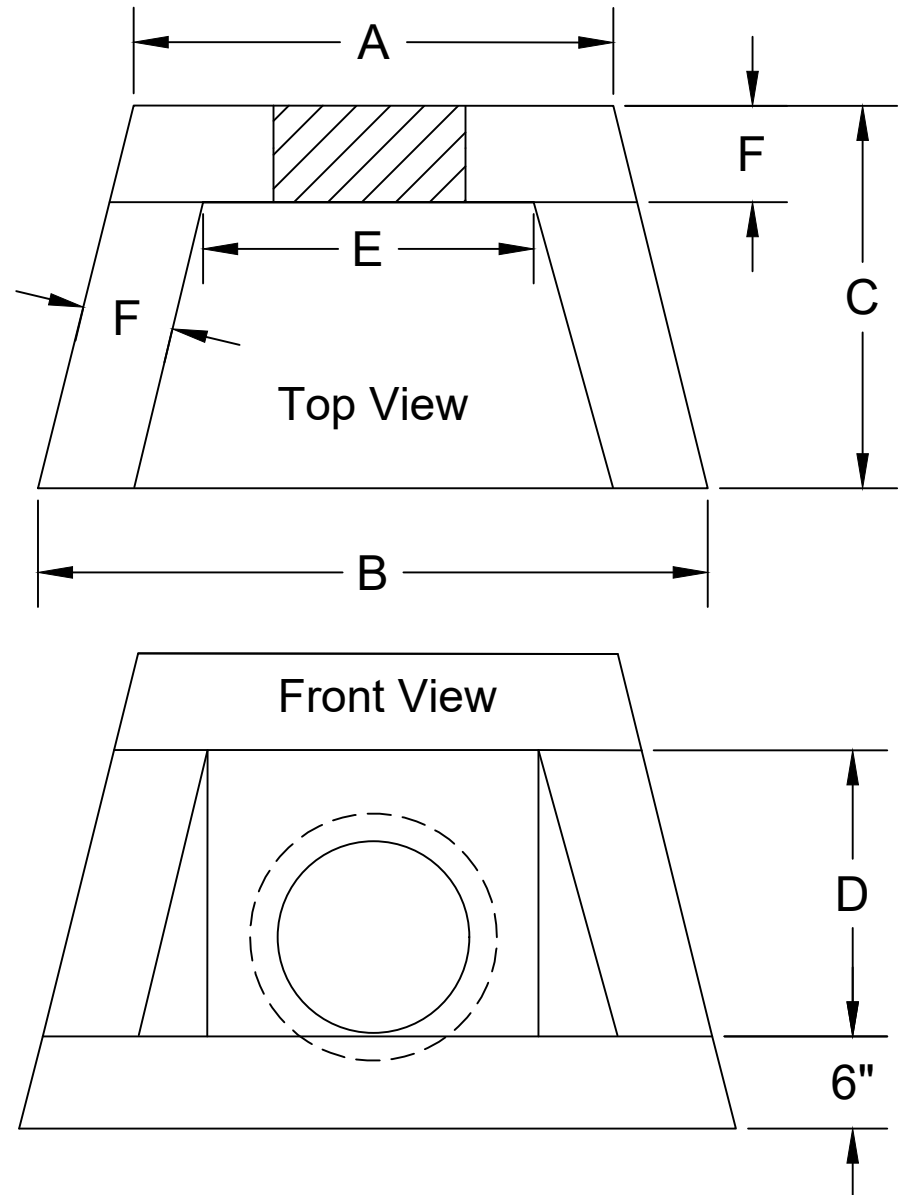




Jarrett Concrete Products 615-792-9332
 2012 Hwy 12 South, Ashland City, TN 37015

28 Day, 5,000 PSI Concrete
 #3 Rebar, Grade 60
 Dissipaters Blocks Available
 Prints Not To Scale



Pipe Size	Small (12"-18")	Medium (24")	Large (30"-48")
A	32"	38"	74"
B	48"	72"	108"
C	30"	36"	42"
D	26"	36"	62"
E	24"	30"	66"
F	6"	6"	8"

Standard Wingwall

Date: 5/8/2018

Drawn By: L.Owen

Weight: 500-7,000 lbs

