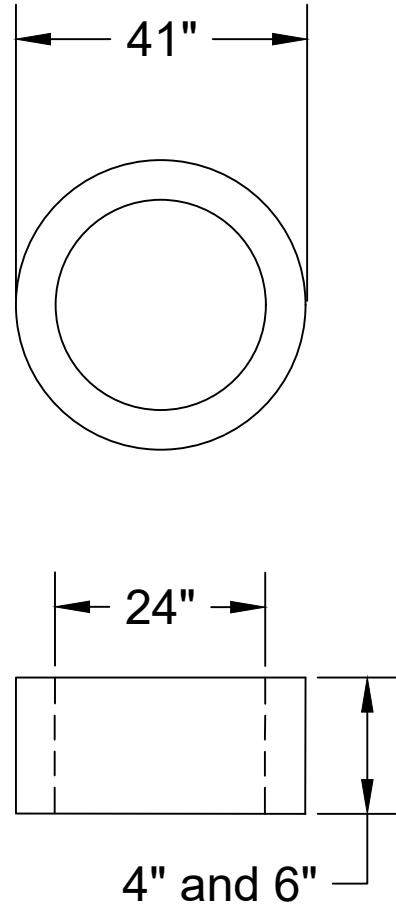


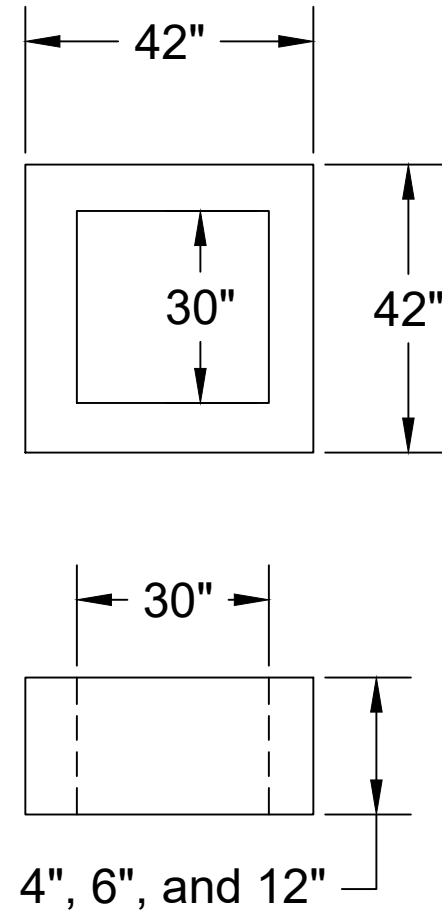


Jarrett Concrete Products 615-792-9332
2012 Hwy 12 South, Ashland City, TN 37015

Storm Manhole Riser



30" x 30" ID Riser



Risers (Storm)

Date: 1-22-2020

Drawn By: L.Owen

Weight: 300-600 lbs

