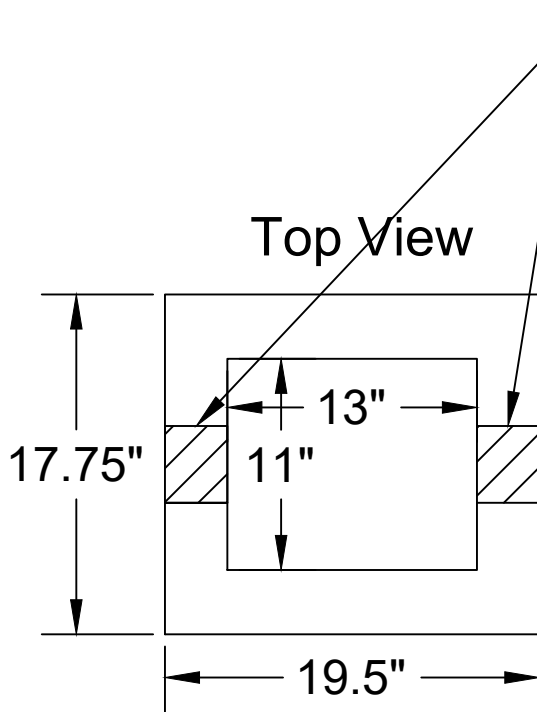
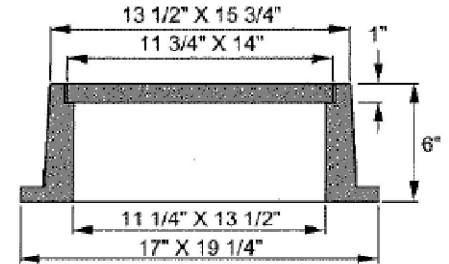
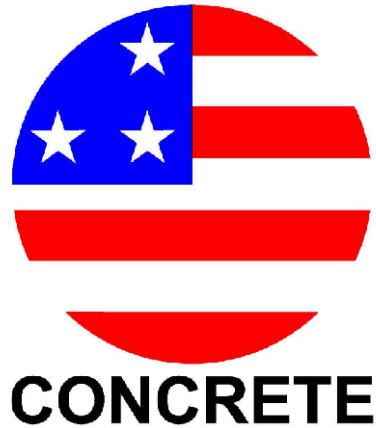


JARRETT

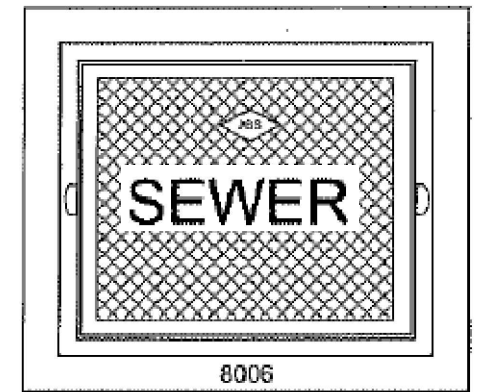
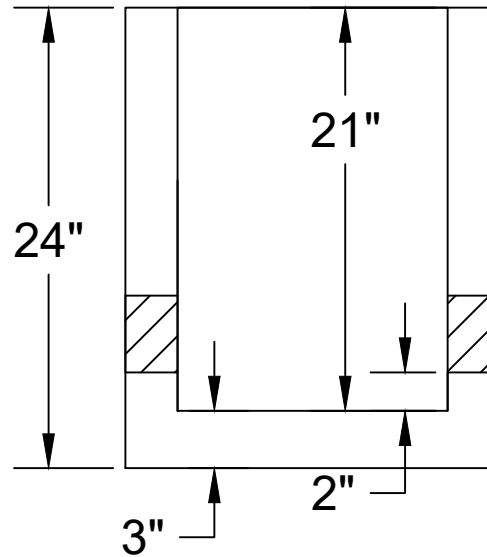
Jarrett Concrete Products 615-792-9332
2012 Hwy 12 South, Ashland City, TN 37015

28 Day, 5,000 PSI Concrete
#3 Rebar Reinforced
Traffic Rated
JBS 8006 Included
Print Not To Scale



4" or 6" Boots

Side View



Grease Trap Sample Pit

Date: 11-7-2022

Drawn By: L.Owen

Weight: 348 Lbs

