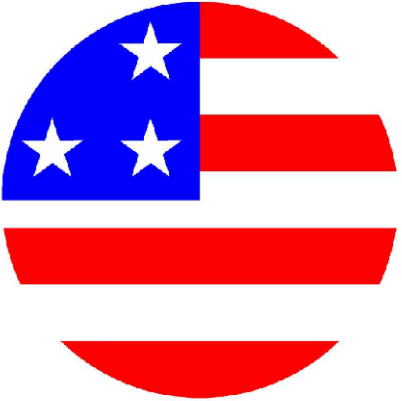


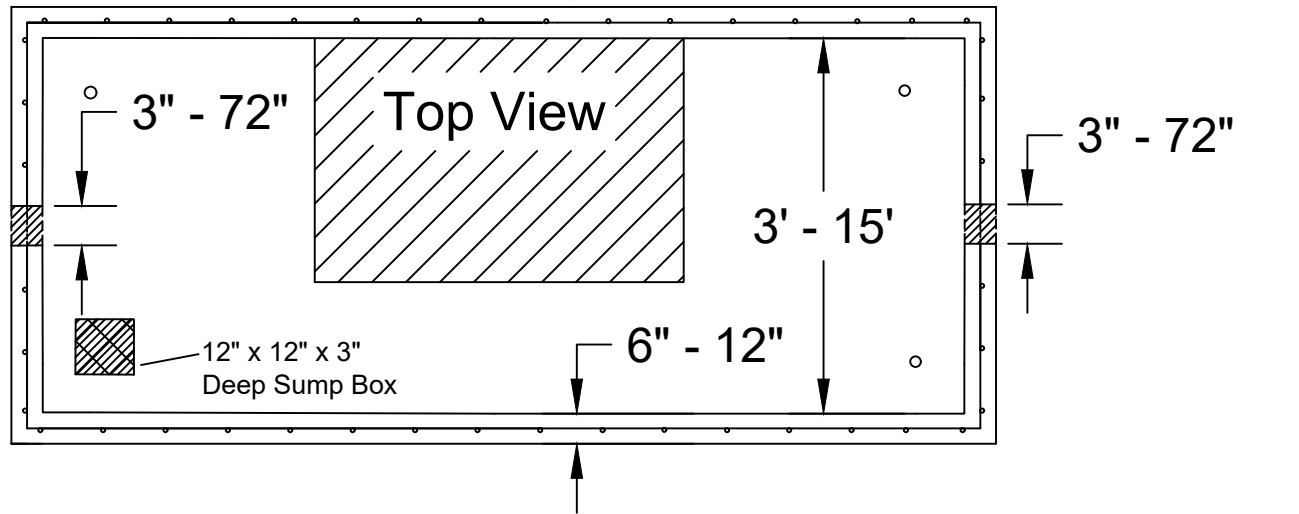
# JARRETT

**Jarrett Concrete Products** 615-792-9332  
2012 Hwy 12 South, Ashland City, TN 37015

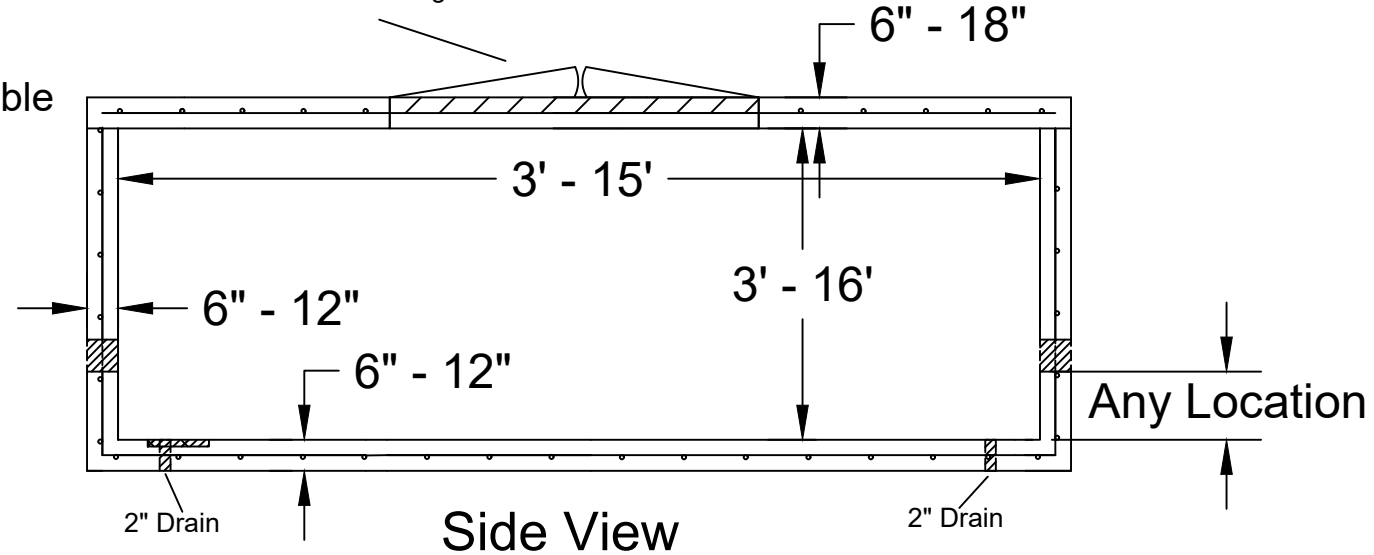


# CONCRETE

28 Day, 5,000 PSI Concrete  
Meets ATSM C923 & C990  
MAGA Approved  
Steps Centered to Hatch  
Traffic or Non-Traffic Rated Available  
Various Coatings Available  
Print Not To Scale



Various Aluminum Hatches or Castings Available



**Electrical Vaults, Meter Vaults, and Utility Vaults; if you can draw it on a napkin, we can build it.**



### Custom Vaults Available

Date: 12-17-2019

Drawn By: L.Owen

Weight: From Heavy To Heavier