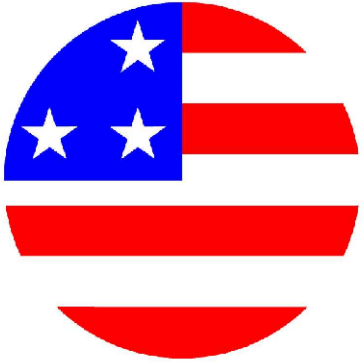


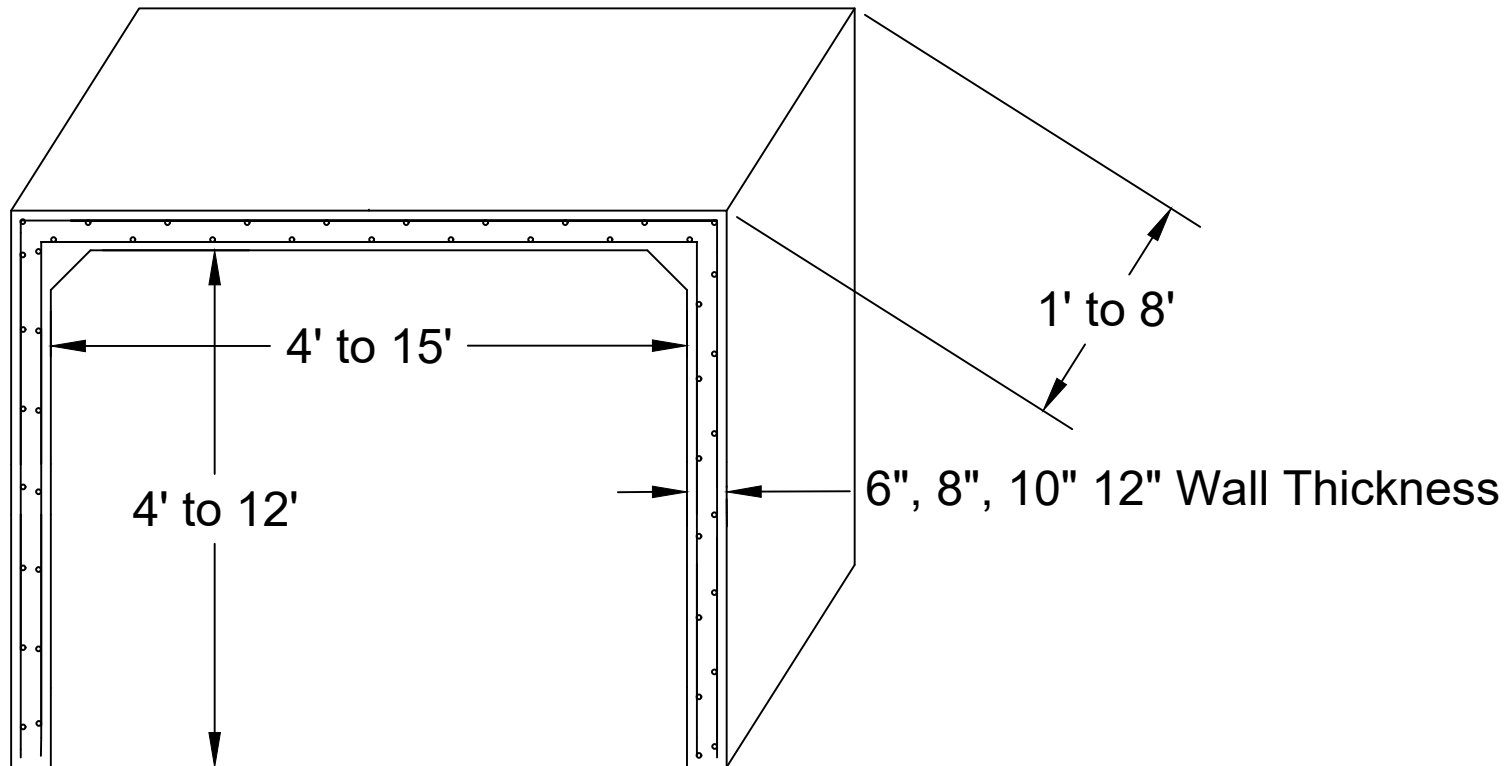
JARRETT



CONCRETE

Jarrett Concrete Products 615-792-9332
2012 Hwy 12 South, Ashland City, TN 37015

12" Haunches
All Rebar Meets ASTM A1064
H-20 and HS-20 Rated Available
28 Day, 5,000 PSI Concrete
Print Not To Scale



Heavy Duty 3-Sided Box Culverts

Date: 9-12-2019

Drawn By: L.Owen

Weight: up to 35,000 lbs