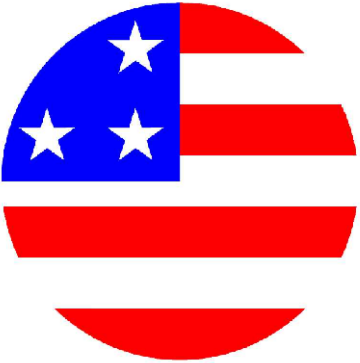


JARRETT



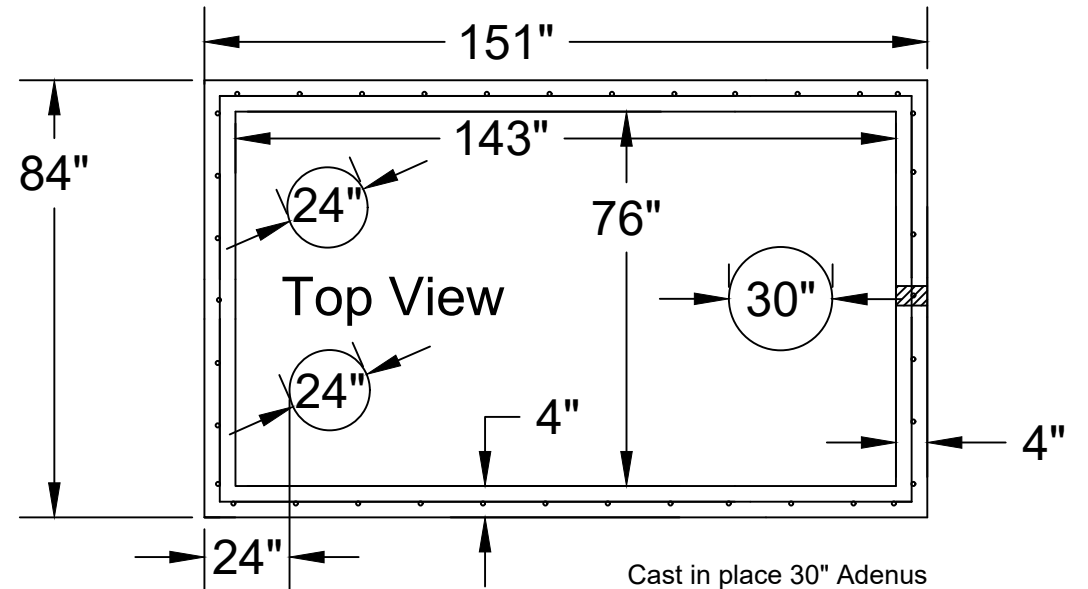
Jarrett Concrete Products 615-792-9332
 2012 Hwy 12 South, Ashland City, TN 37015

CONCRETE

Different inlet size inlet openings and locations are available by special order.
 Different access openings and adaptors rings are available by special orders.
 Height and lengths of tanks can be altered to adapt to conditions by special order.
 Jarrett Concrete reserves the right to make changes without notice.

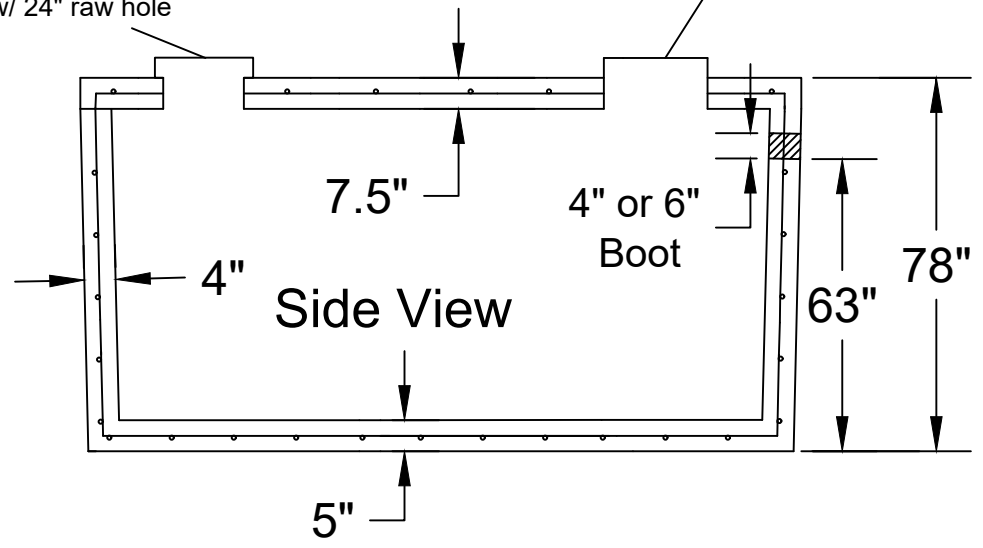
ALL TANKS SOLD BY JCP NEEDS TO BE WATER TESTED WITHIN FIVE BUSINESS DAYS FROM THE TIME WE SET THE TANKS. IF THE TANKS IS NOT TESTED WITHIN FIVE BUSNISS DAYS, IT IS ASSUMED YOU HAVE OPTED FOR A VACUUM TEST AT YOUR EXPENSE. IT IS THE CUSTOMER'S RESPONSIBILITY TO CORDINATE AND SCHEDULE THE WATER TEST WITH THE LOCAL INSPECTOR.

28 Day, 5,000 PSI Concrete
 #4 Rebar @12"o.c./e.w. Grade 60
 W/ 6" Boots the Inverts Drops 1"
 Meets ATSM C-1227, 990, 923
 Monolithic Tank Design
 "Top Tight" Patented
 H-20 Traffic Rated
 MAGA Approved
 Print Not To Scale



Cast in place 30" Adenus riser adapter w/ 24" raw hole

Cast in place 30" Adenus riser adapter w/ 30" raw hole



Adenus Pump Tank 2500 Gallon Rev 2

Date: 10-8-2020

Drawn By: L.Owen

Weight: 23,601 lbs

