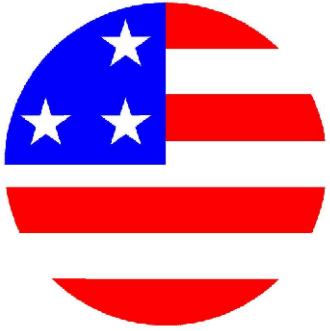
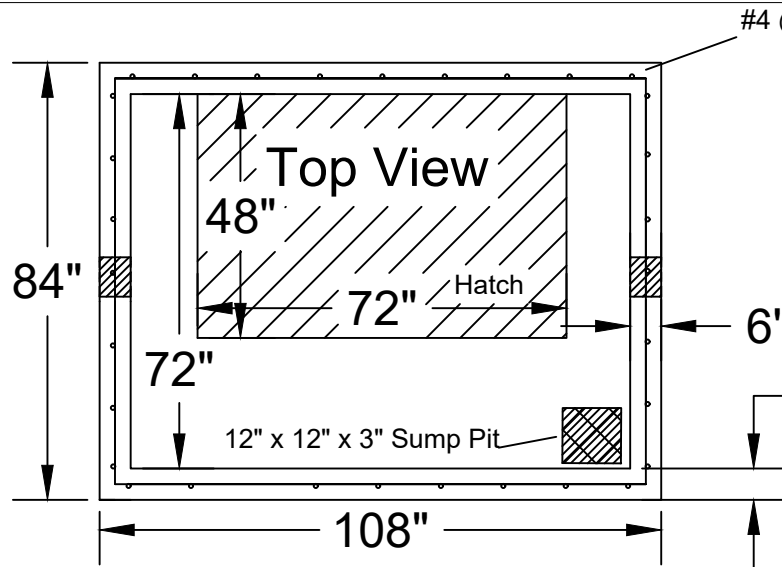


JARRETT



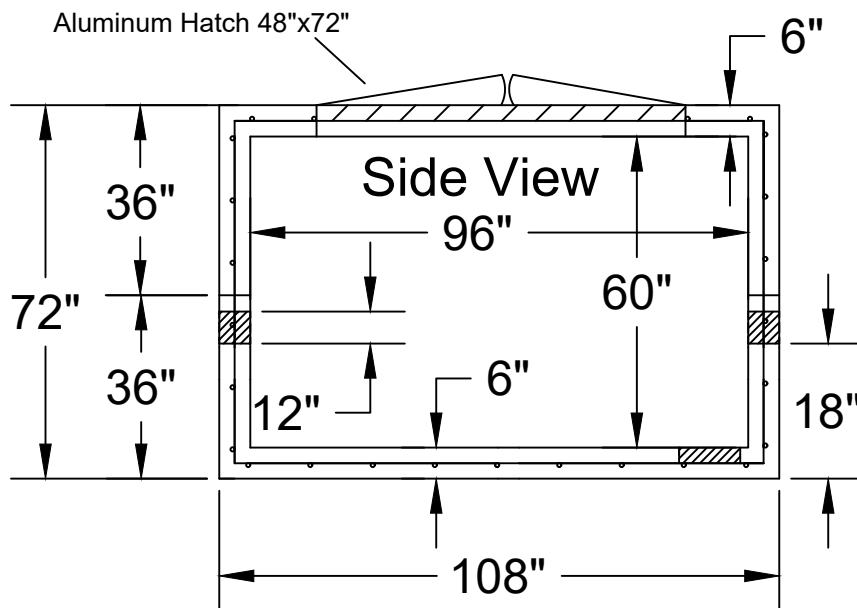
CONCRETE

Jarrett Concrete Products 615-792-9332
2012 Hwy 12 South, Ashland City, TN 37015



#4 @ 12" O.C.E.W.

28 Day, 5,000 PSI Concrete
#4 Rebar, Grade 60
Meets ATSM C923 & C990
Steps Centered to Hatch
Print Not To Scale



Aluminum Hatch 48"x72"

8' x 6' Metro Meter Vault w/ Sump Pit

Date: 8-19-2019

Drawn By: L.Owen

Weight: 20,281 lbs

