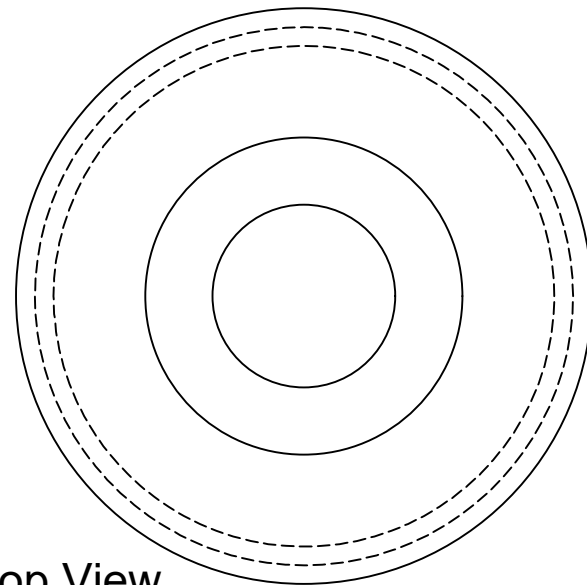
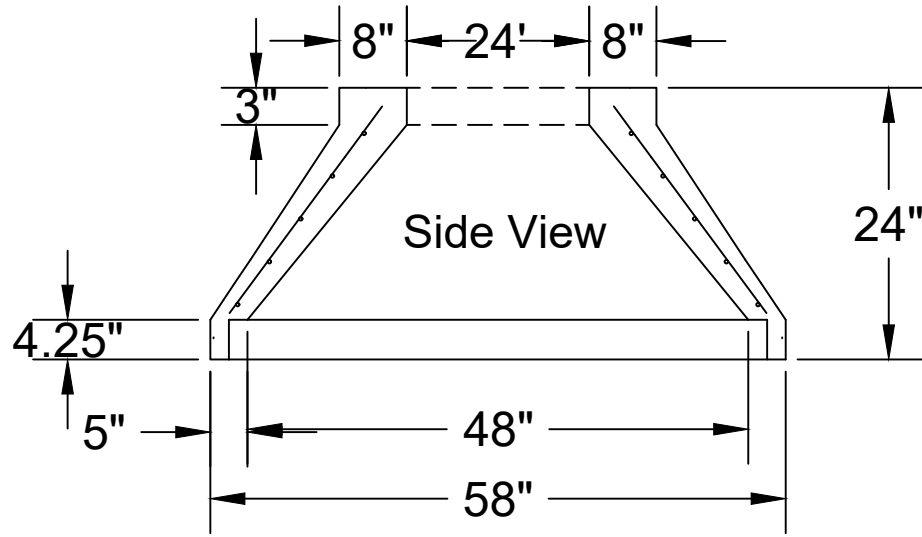




**Jarrett Concrete Products** 615-792-9332  
2012 Hwy 12 South, Ashland City, TN 37015



28 Day, 5,000 PSI Concrete  
#3 Rebar, Grade 60  
Meets ATSM C-478  
Steps As Required  
Print Not To Scale

Top View

### 48" Manhole Concentric Cone

Date: 5-8-2018

Drawn By: L.Owen

Weight: 1,200 lbs

