

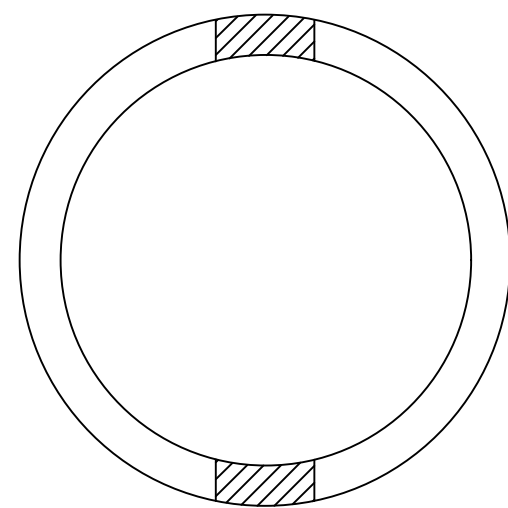
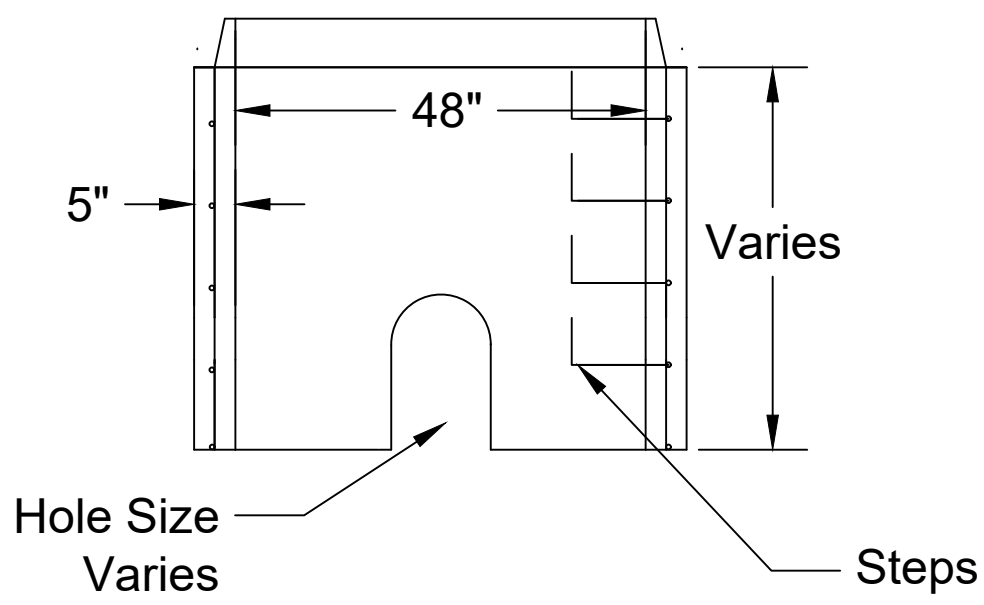


**Jarrett Concrete Products** 615-792-9332  
2012 Hwy 12 South, Ashland City, TN 37015



Top View

Side View



28 Day, 5,000 PSI Concrete  
G-60 #4 Rebar @ 12" o.c.e.w.  
Meets ASTM C-1227, 990, 923  
H-20 Traffic Rated  
BASF 300D Admix  
+/- 1/2" Tolerance  
Print not to scale

### 48" Manhole Dog House

Date: 11-6-2023    Drawn By: L.Owen    Weight: 3,217 lbs