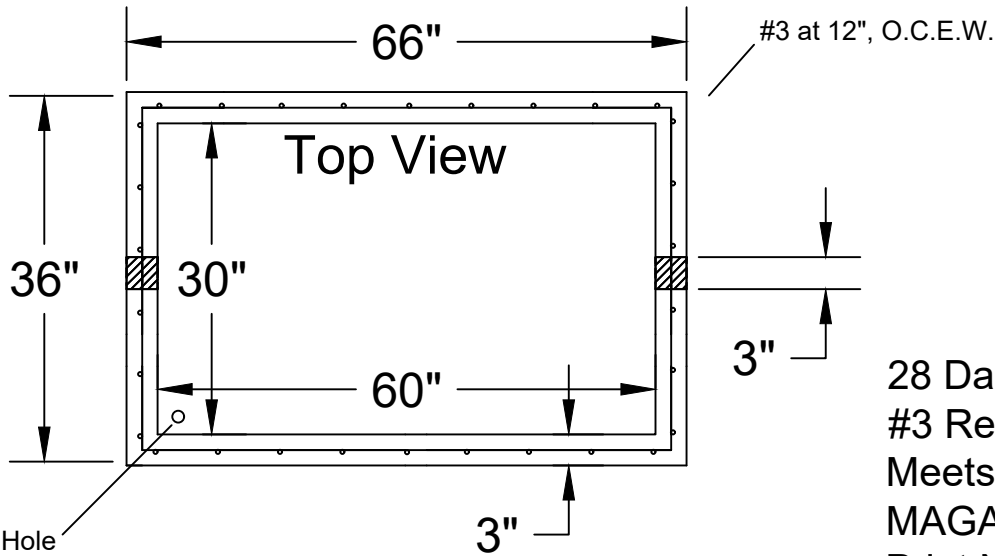
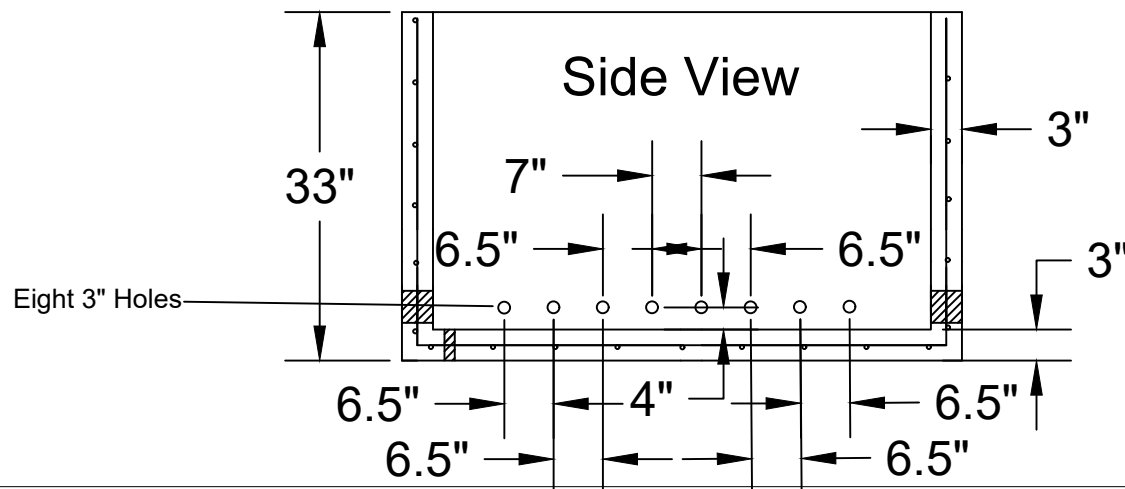


JARRETT

Jarrett Concrete Products 615-792-9332
2012 Hwy 12 South, Ashland City, TN 37015



28 Day, 5,000 PSI Concrete
#3 Rebar, Grade 60
Meets ATSM C923 & C990
MAGA Approved
Print Not To Scale



8 Gang - Meter Vault 30" x 60"

Date: 12-17-2019

Drawn By: L.Owen

Weight: 2,517 lbs

