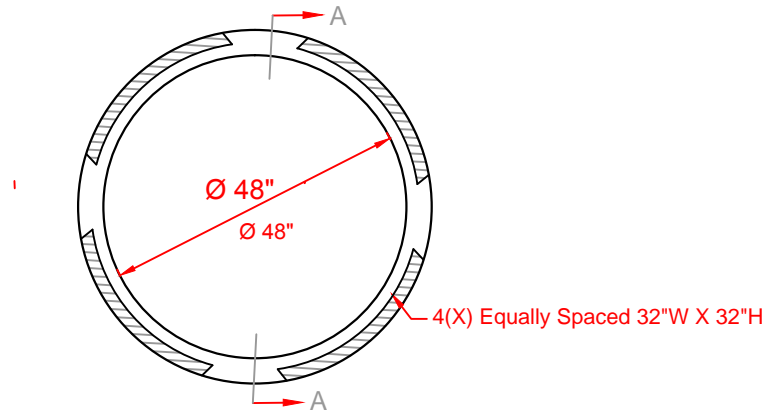
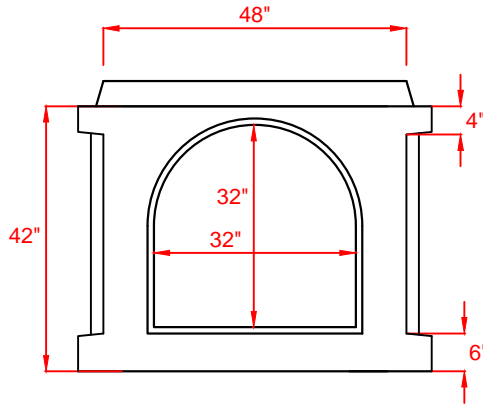


# 48"Ø X 42" Mono Base w/Knock-Outs



PLAN VIEW



SECTION A-A

**General Notes:**

1. No Invert
2. Max. Fill over top of Concrete cap = 2'-0"
3. Knock-Out panel shall be completely filled with non-shrink grout. Grout strength to be 4000 p.s.i.



2012 Highway 12 South  
Ashland City TN 37015

Phone: 615.792.9332  
Fax: 615.792.9071

jarrettconcreteproducts.com

Version: 2014-1

JCP Standard Drawing No. 12

## 48"Ø X 42" Mono Base w/knock-outs

Date: 11/07/2014

Drawn By: CF

Checked By: DSS, PE