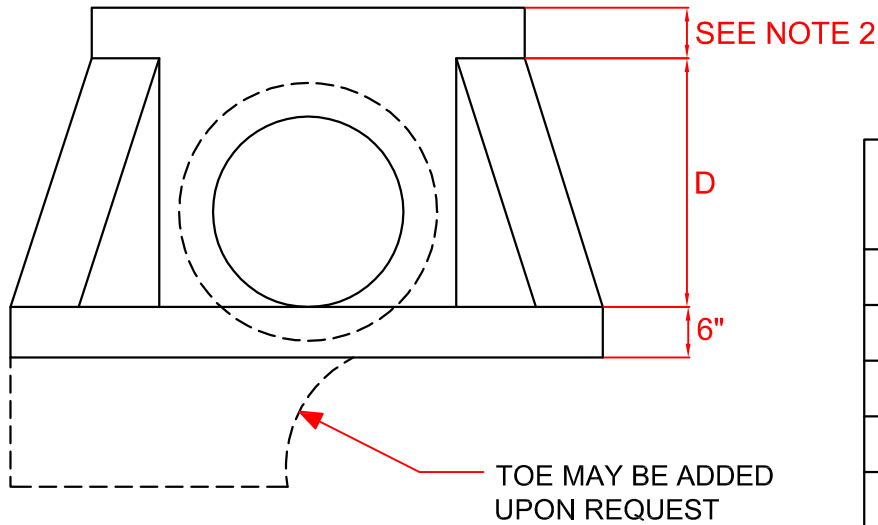
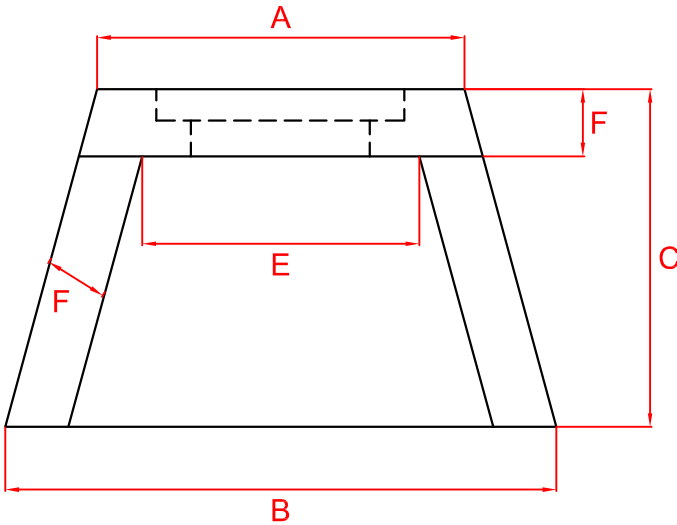


Standard Wingwall



PIPE SIZE	SMALL	MEDIUM	LARGE
	12" - 15"	18" - 24"	30" - 48"
A	32"	38"	74"
B	48"	72"	108"
C	30"	36"	42"
D	26"	36"	62"
E	24"	30"	66"
F	6"	6"	8"
MAX OPENING	24"	30"	62"

Specifications:

Notes:

1. Dissipater blocks available upon request
2. 0" for small size. 6" for Medium & Large size

Jarrett Concrete

PRODUCTS AND SUPPLY, INC.

2012 Highway 12 South
Ashland City TN 37015

Phone: 615.792.9332
Fax: 615.792.9071

jarrettconcreteproducts.com

Version: 2014-1

JCP Standard Drawing No. 9

Standard Wingwall

Date: 9/24/2014

Drawn By: BB

Checked By: DSS, PE